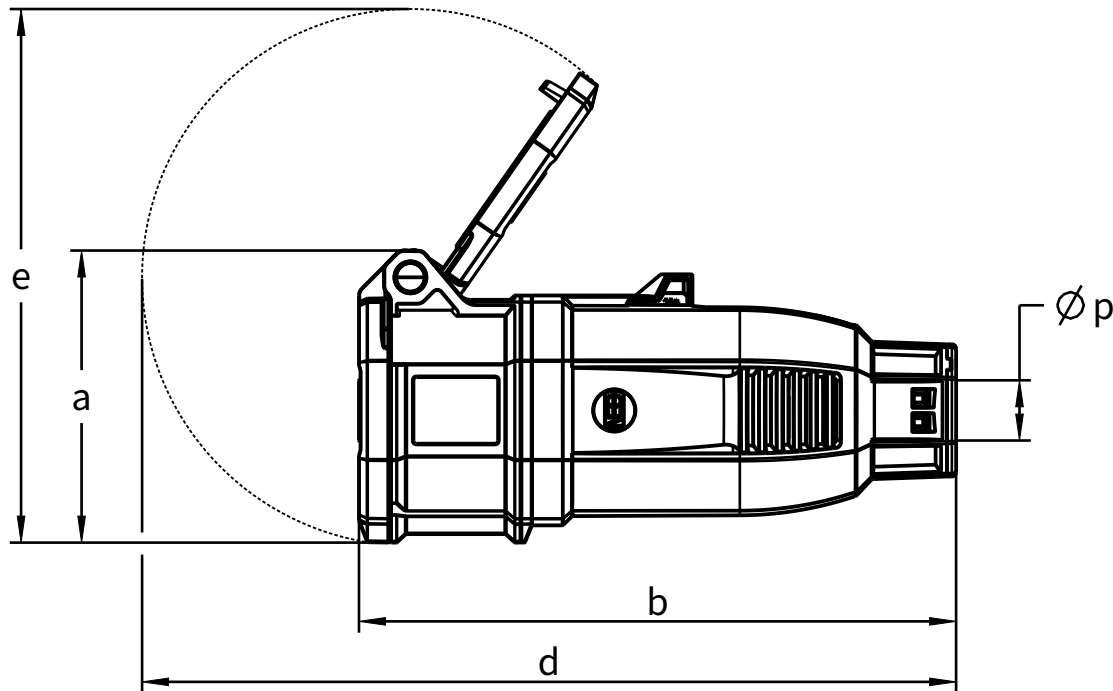
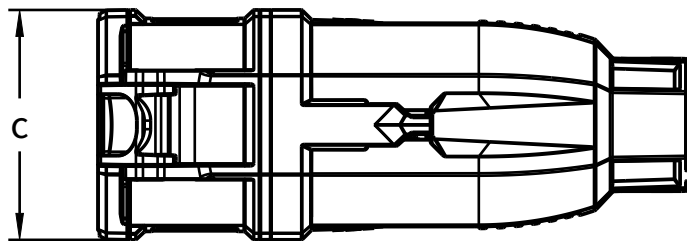


MAßZEICHNUNG

Dimensional drawing



Amp.	16A		32A		
	4	5	3	4	5
Pole	4	5	3	4	5
a	82	87	94	94	97
b	177	177	197	197	197
c	65	69	76	76	76
d	232	240	264	264	269
e	145	159	168	168	177
Øp	7,1-15,5	8-17	9,6-18	10,7-20	11,9-22,2



SK Schraubklemme/ *screw terminal*
 SN Schraubklemme vernickelt/ *screw terminal nickel plated*
 CC Cage clamp/ *cage clamp*
 CN Cage clamp vernickelt/ *cage clamp nickel plated*
 PH Phasenwender/ *phase inverter*
 PN Phasenwender vernickelt/ *phase inverter nickel plated*