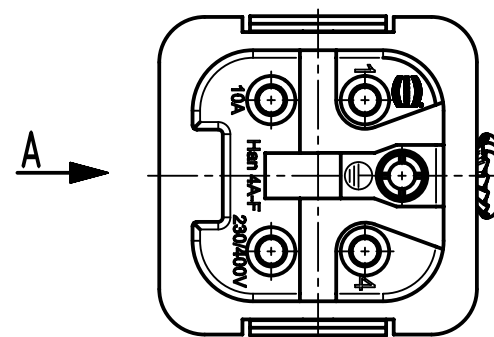
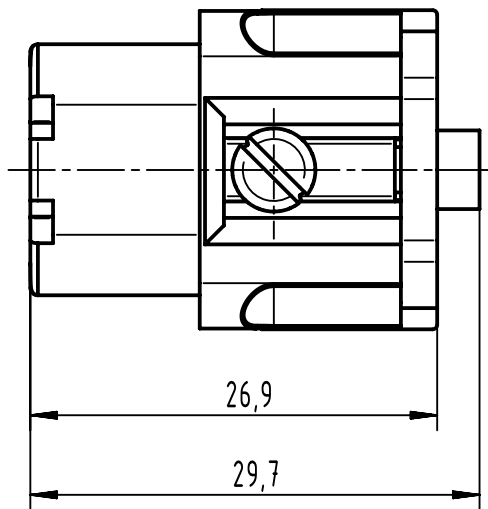
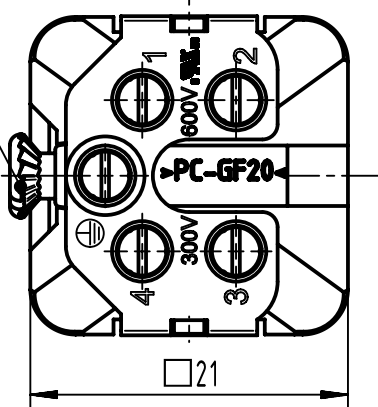
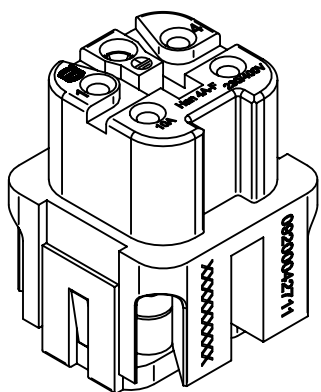
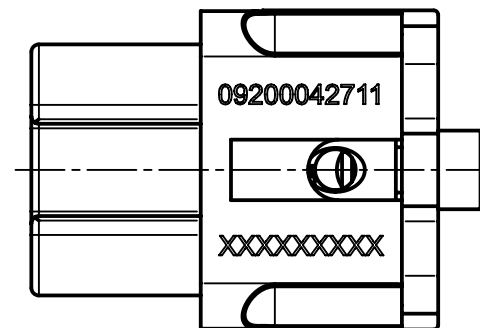


insert fixing screw M3x6
enclosed separately



A ↻ 180°



	All Dimensions in mm Original Size DIN A4	Scale	Free size tol.		Ref.
		2:1			Sub.
	All rights reserved Department EL PD	Created by	Inspected by	Standardisation	Date
		404440	BALSAN		2023-12-12
HARTING D-32339 Espelkamp		Title Han A 04 Pos. F Insert Screw			Doc-Key / ECM-Nr. 100120378/UGD/005/C 500000259562
		Type	Number	Rev.	Page
		TB	09 20 004 2711	C	1/1