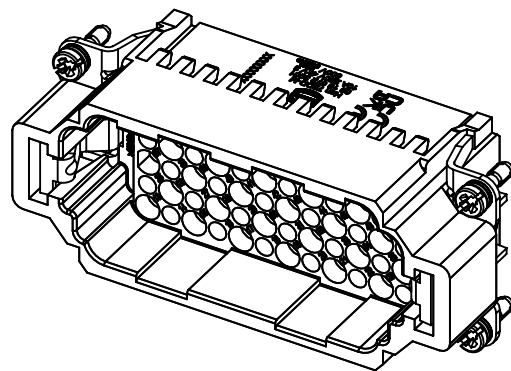
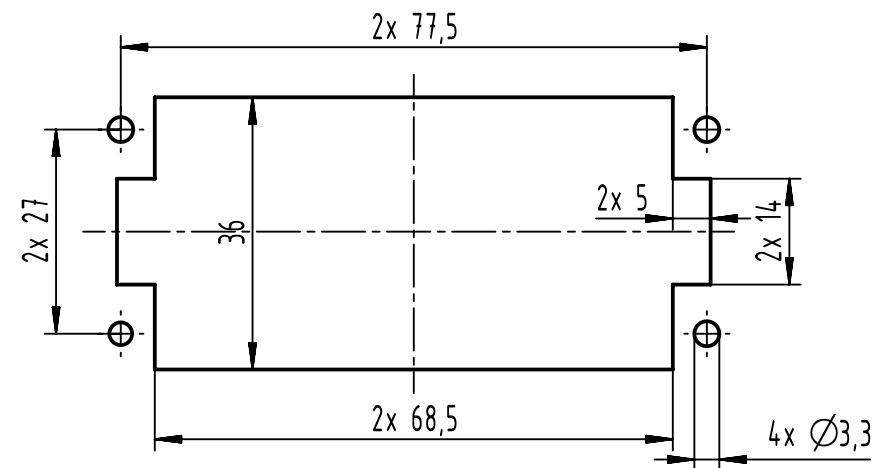



panel cut out



	All rights reserved Department EL PD	All Dimensions in mm Original Size DIN A4	Scale 1:1	Free size tol.	Ref. Sub.	
		HARTING D-32339 Espelkamp	Created by 404270	Inspected by BALSAN	Standardisation	Date 2023-12-11
		Title Han 72DD-SMC-MI-CRT			Doc-Key / ECM-Nr. 100216584 / UGD/003/F 500000258360	
		Type TB	Number 09 16 072 3001		Rev. F	Page 1/1