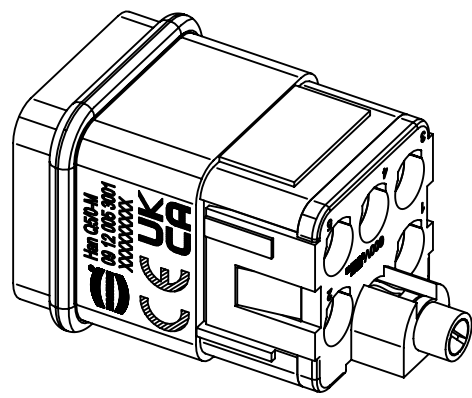
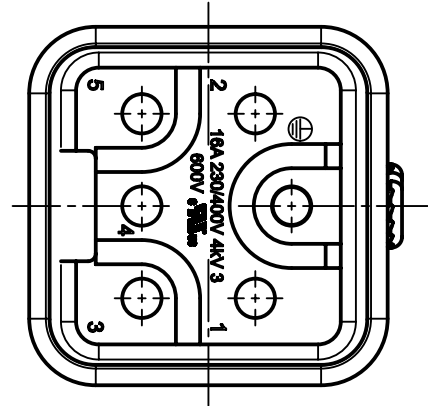
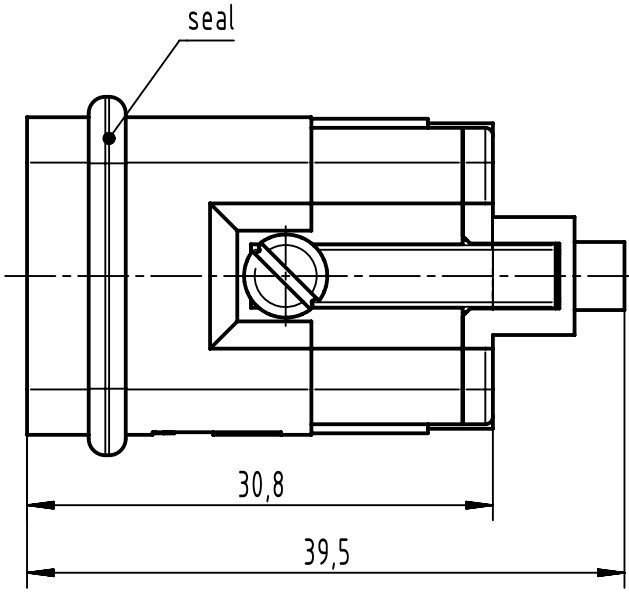
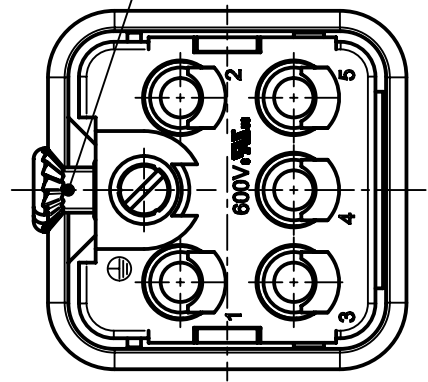


countersunk-head screw
M3x6-4,8, enclosed separately



	All Dimensions in mm Original Size DIN A4		Scale 2:1	Free size tol.		Ref.
			Created by BALSAN	Inspected by 408654	Standardisation	Sub.
All rights reserved Department EL PD		Title Han Q 5/0-M-C		Date 2023-07-04	State Final Release	
HARTING D-32339 Espelkamp		Type TB	Number 09 12 005 3001		Doc-Key / ECM-Nr. 100125021/UGD/005/H 500000248915	Rev. H
						Page 1/1