

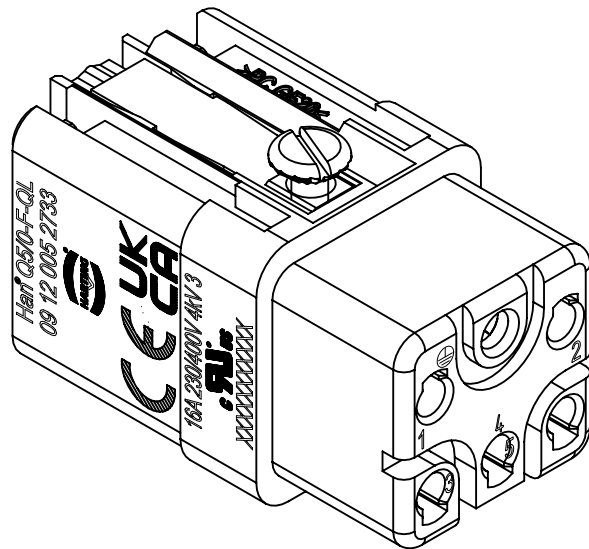
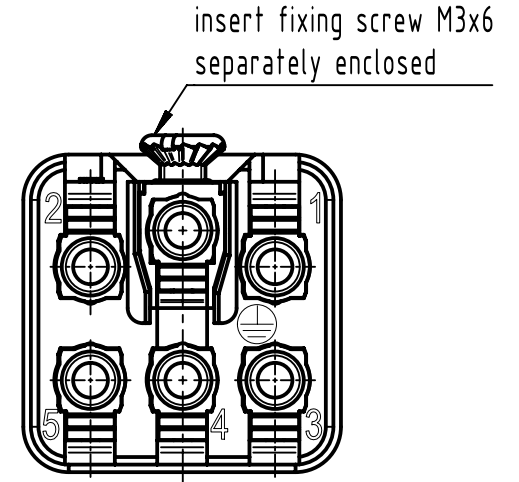
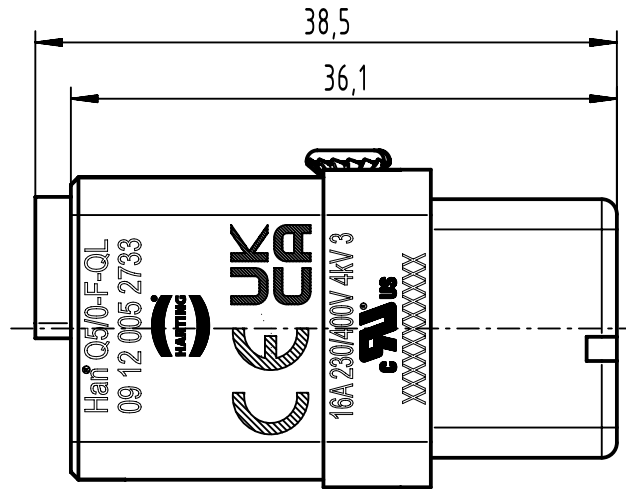
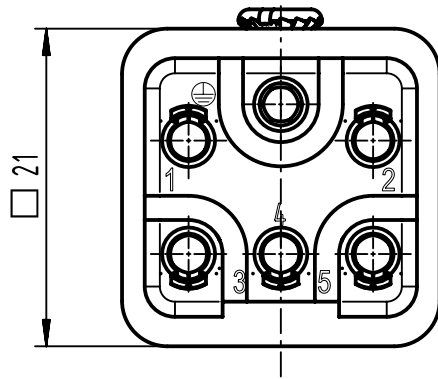
1 2 3 4 5 6

A

B

C

D



	All Dimensions in mm Original Size DIN A4		Scale 2:1	Free size tol.		Ref. Sub. TB 09 12 005 2733 vom 26.02.2010	
		All rights reserved	Created by BALSAN	Inspected by 408654	Standardisation	Date 2023-07-04	State Final Release
Department EL PD		Title Han Q5/0-F-QL 2,5mm ²				Doc-Key / ECM-Nr. 100132566/UGD/006/J 500000248976	
HARTING D-32339 Espelkamp		Type TB	Number 09 12 005 2733			Rev. J	Page 1/1