



Raum für Verpackungsdatum
Area for date of packing
(MMJJTT / MMYDD)



SV
3515.000

600V~
1100A with cover
1400A without cover

600V~
1100A

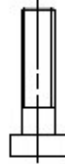


Listed Accessory
for use with
RLine60 Busbar
Supports only.



IND. CONT. EQ. 3PJA XX

6X



M10x40

6X



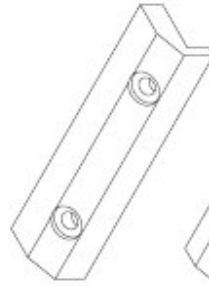
A10,5

6X



A10,2

3X



3X

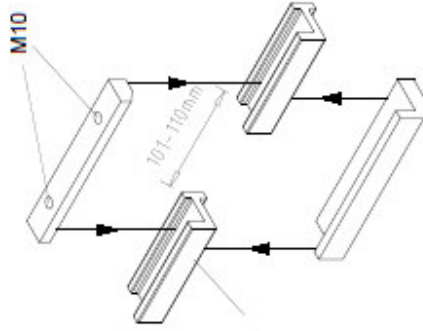


Dok.-Nr. / No. of doc.: A0414109SV
Versandbeutel-Nr. / No. of accessory bag : -

Made in XXXXX
Lieferanten-Nr. / No. of supplier :

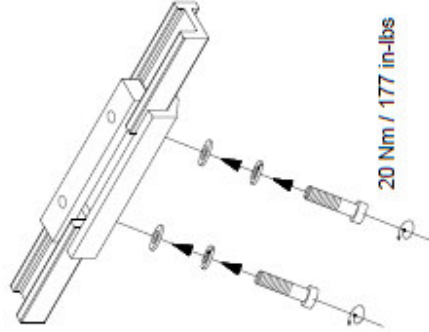
RITTAL GmbH & Co. KG, Auf dem Stuetzelberg, 35745 Herborn
RITTAL Limited, Braithwell Way, Helliaby, Rotherham, S66 8QY, UK

1



3516.000
3527.000
3528.000
3528.010
3529.000

2



Article No.

Suitable for use on a circuit
capable of delivering not more
than SCCR symmetrical amperes

[kA]

Maximum
voltage AC
[V]

Maximum condition
when protected by

Spacing
between
supports
[mm]

Useable
supports

Article No.	Maximum condition when protected by	Spacing between supports [mm]	Useable supports
SV3515.000	Class L 1600A Fuses	250	SV 9342.004
	Class L 1400A Fuses	250	9342.050
	-	250	9342.004
	-	500	9342.004
	-	150	9342.050
	-	250	9342.050
	-	500	9342.050