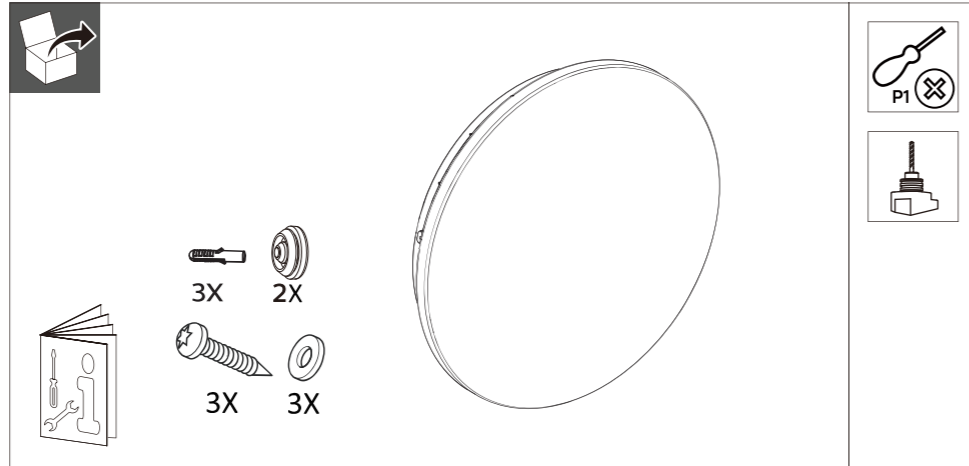


PHILIPS

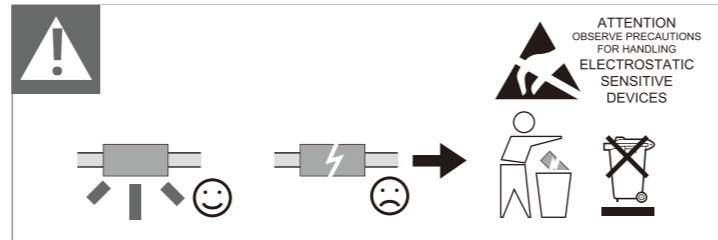
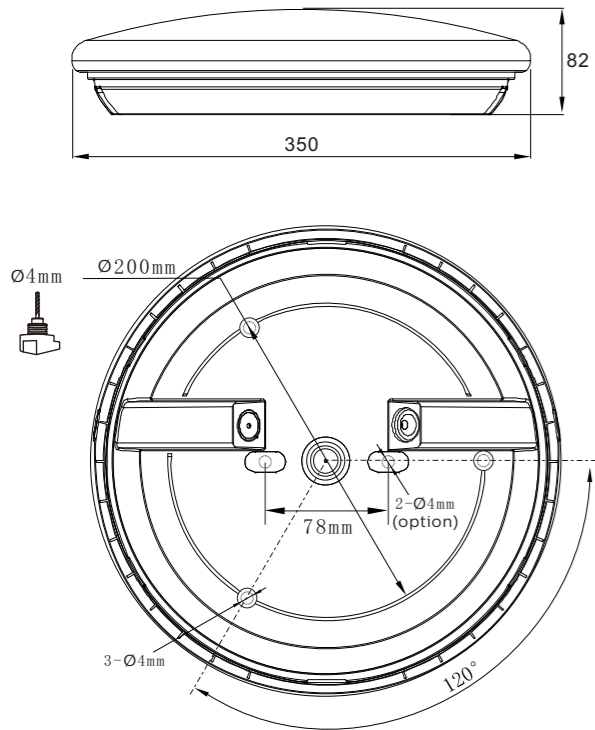
Ledinaire Wall-mounted

WLO60V All-in



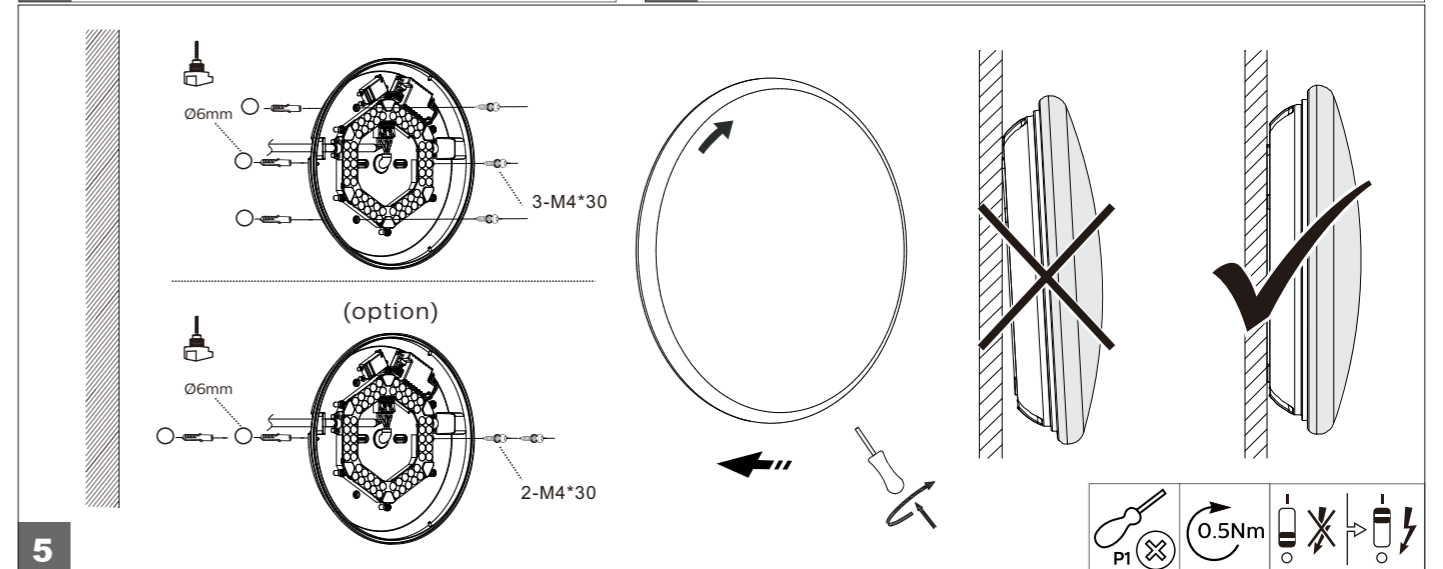
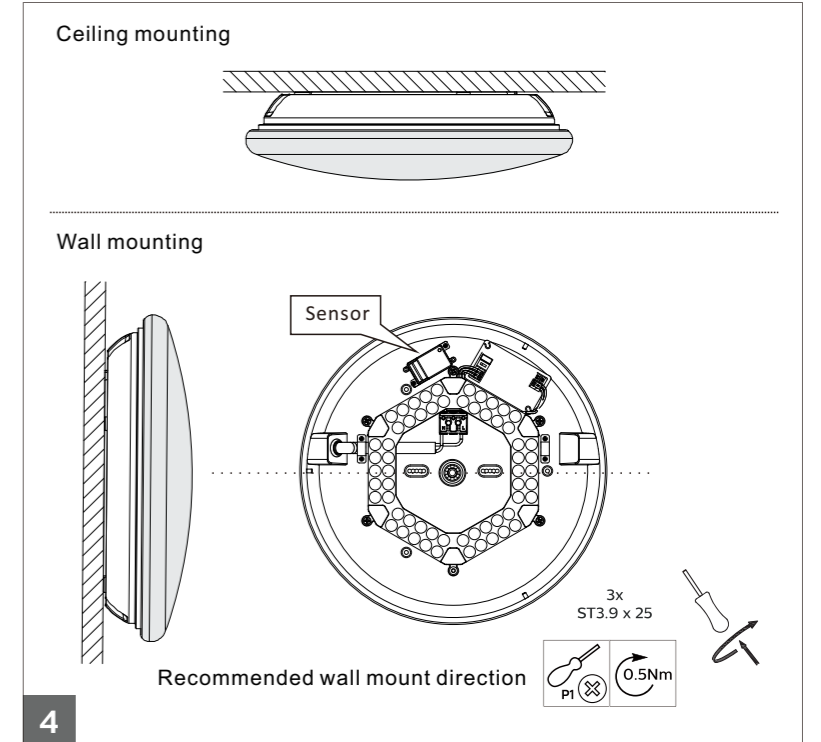
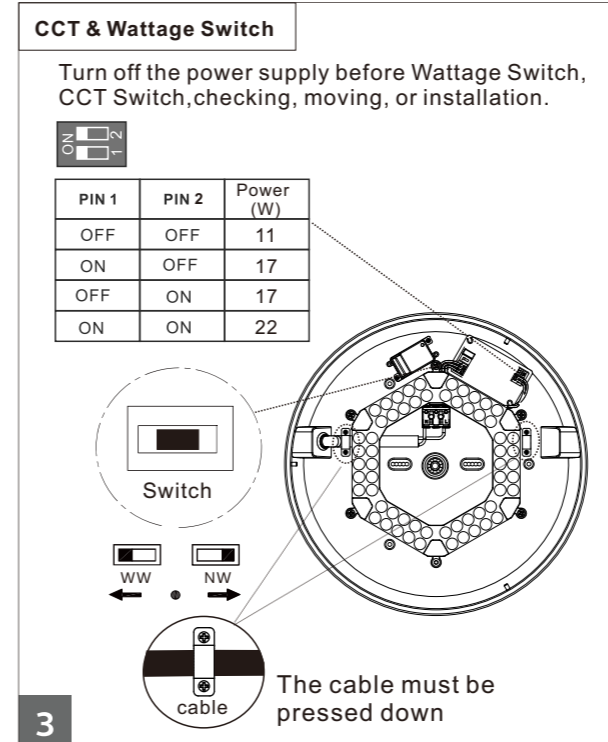
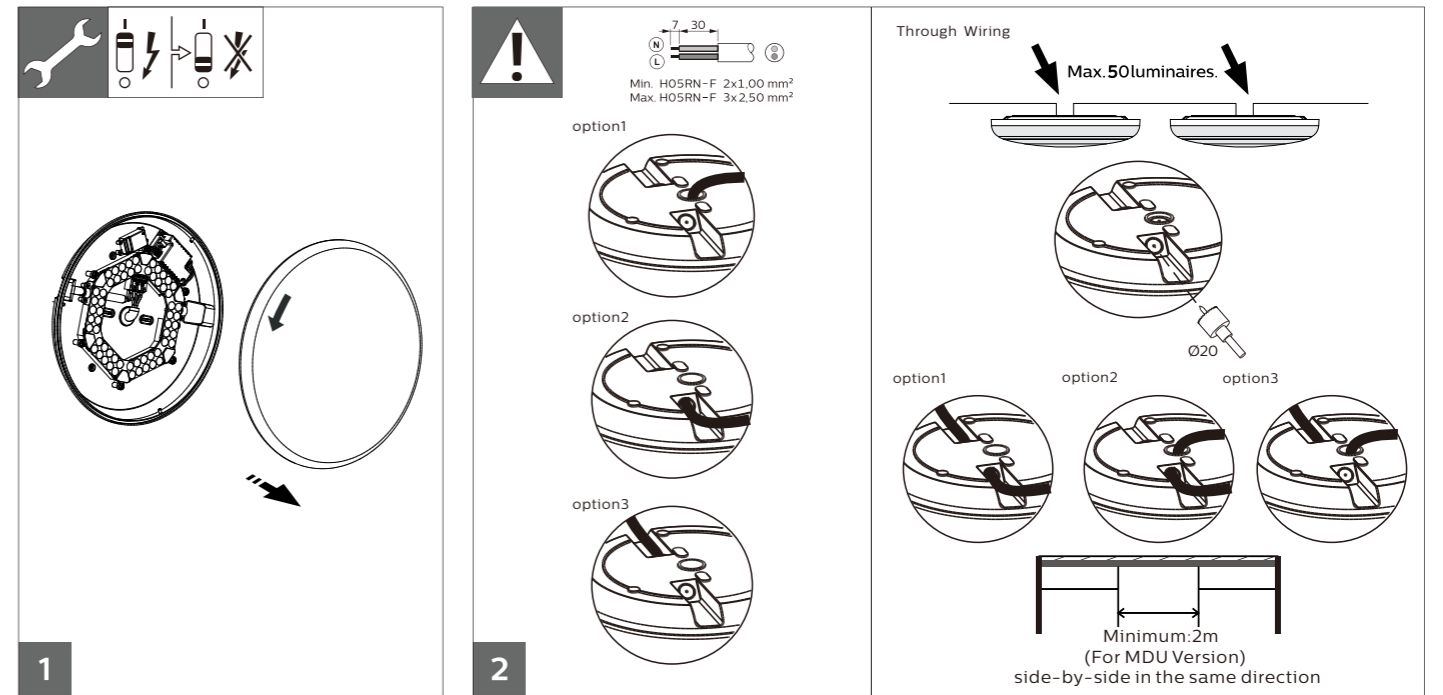
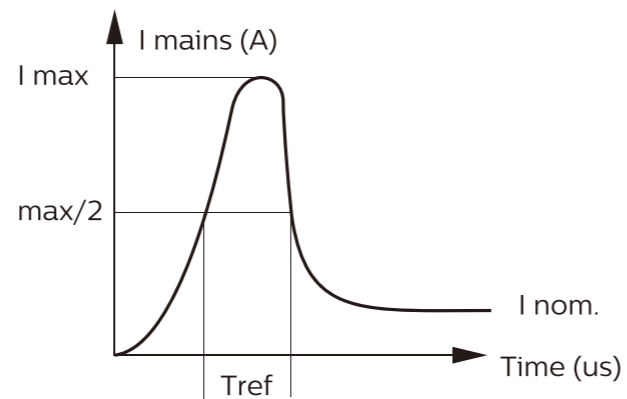
Light source of energy efficiency class	P(W)	Driver	Sensor	220V 240V	50Hz 60Hz	kg
WLO60V gen2 11_22S/830_840 PSU D350	E	11/17/22	PSU	No	•	0.63
WLO60V gen2 11_22S/830_840 PSU MDU D350			Yes			0.65

Dimensions in mm



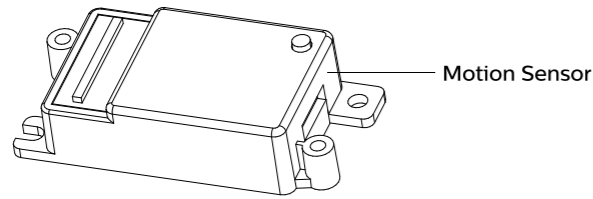
Inrush current

	LED11S	LED17S	LED22S
Electrical characteristics			
I _{max} (A)	22	22	22
T _{ref} (µs)	320	320	356
MCB Luminaires Max.			
B-10 A	11	11	10
B-13 A	15	15	13
B-16 A	18	18	16
C-10 A	19	19	17
C-13 A	24	24	22
C-16 A	31	31	27



Motion Sensor(For WL060V gen2 PSU MDU only).

By selecting the combination on the DIP switch, sensor data can be precisely set for each specific application.



	1	
I	ON	100%
II	-	25%

Detection area. (default 100%) show patterns.
Sensor coverage range depending on application.

	2	3	
I	ON	ON	5S
II	ON	-	1min
III	-	ON	5min
IV	-	-	10min

Hold time. (default 5 min.)
Time period the luminaire remains at 100% brightness without motion.

	4	5	
I	ON	ON	5Lux
II	ON	-	25Lux
III	-	ON	50Lux
IV	-	-	Disable

Daylight sensor. (default 25 lux.)
Sensor switches on the luminaire below defined light levels (5/25/50 lux).
When set to 'disable', sensor switches on the luminaire when motion is detected regardless the ambient light level.

	8	
I	ON	10%
II	-	25%

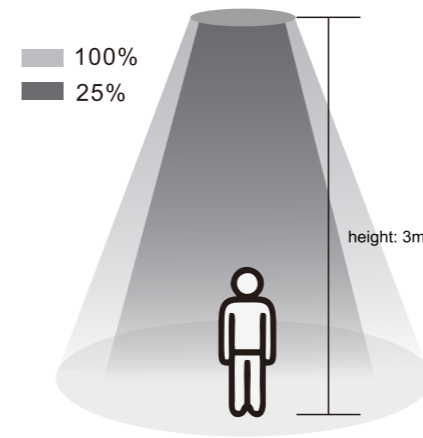
Stand-by dimming level. (default 25%)
Dimming % level when there is no motion (after the hold time) to save energy.

	6	7	
I	ON	ON	0S
II	ON	-	1min
III	-	ON	10min
IV	-	-	+∞

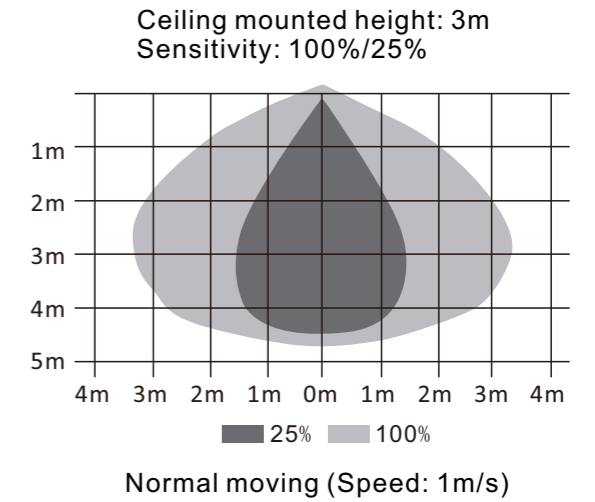
Stand-by period. (default 10 min.)
Time period the luminaire remains dimmed before it switches off.
When set to '∞' mode, selected dim level is maintained until motion is detected.

Detection area (radiation pattern)

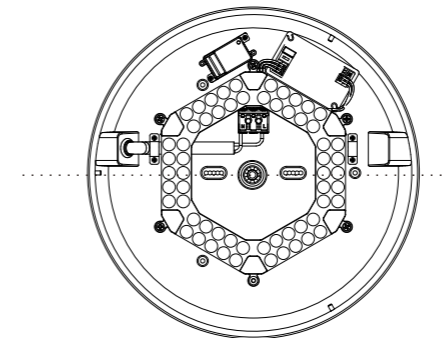
Ceiling mounting



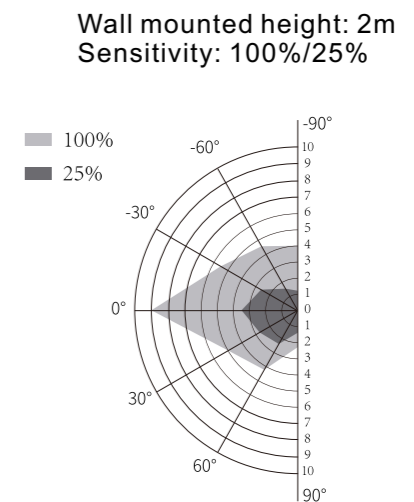
* Recommended setting { Installation mode:Ceiling mounting
Sensitivity: 100%
Installation mode:Wall mounting
Sensitivity: 25%



Wall mounting



Recommended wall mount direction



Notes:

- Please pay attention to the installation environment:
 - Avoid high-density objects such as: metal, glass, concrete walls, etc., within the sensor detection area.
 - Avoid moving signals within the sensor detection area such as: fan, DC motor, sewer pipe, air outlet, heavy rainfall, motion behind a thin wall etc. This to avoid false triggers of the sensor.
 - Avoid shock & vibration in the environment of the application.
- In order to reach the common sensor distance the object move speed should be less than 1m/S . If an object moves with speed higher than 1m/s the detection distance will decrease.
- It is advised not to install a luminaire on a wooden surface. In case it must be installed on a wooden surface, the wood thickness must be more than 15cm.
- To avoid smaller detection range or abnormal operation, the Ledinaire Wall-mounted should not be installed in close distance to large areas of metal and glass (separation distance at least 1 m). Please reduce detection area setting or contact Signify to confirm the situation once the Ledinaire Wall-mounted works fails.

© 2025 Signify Holding.
All rights reserved. This document contains information relating to the product portfolio of Signify which information may be subject to change. No representation or warranty as to the accuracy or completeness of the information included herein is given and any liability for any action in reliance thereon is disclaimed. The information presented in this document is not intended as any commercial offer and does not form part of any quotation or contract. Philips and the Philips Shield Emblem are registered trademarks of Koninklijke Philips N.V.. All other trademarks are owned by Signify Holding or their respective owners.

Signify Holding.
The Netherlands

