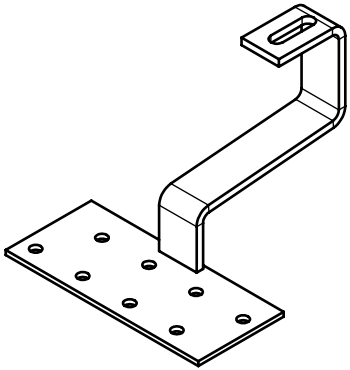


Isometric
1:2



K2 Systems GmbH
Industriestr. 18
71272 Renningen
07159/42059-0

Designation:
Data sheet
SolidHook PAN H47/138 35x6

F	Name	Date	Material:	1.4016 acc. to EN 10088-2 min Rp0,2=260N/mm ²	Item no.:	1001508	A4
	Designed	Renz	14.01.2019	Surface:	sandblasted	Drawing no.:	02-013-05
	Approved	B. Koch	13.01.2023	Weight:	ca. 898 g/pc	Scale:	1:2 (1:5)
	Last change	A. Soumpalas	13.01.2023			All dimensions in mm	
							Sheet 1 of 1

This drawing is the sole property of K2 Systems GmbH. It is protected by copyright and may only be copied, reproduced or distributed to a third party with explicit permission!