

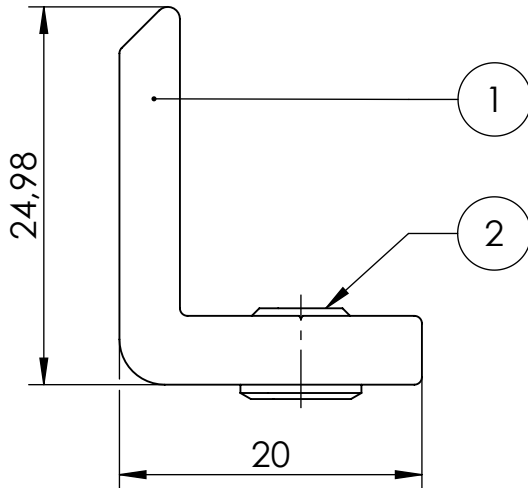
1

2

3

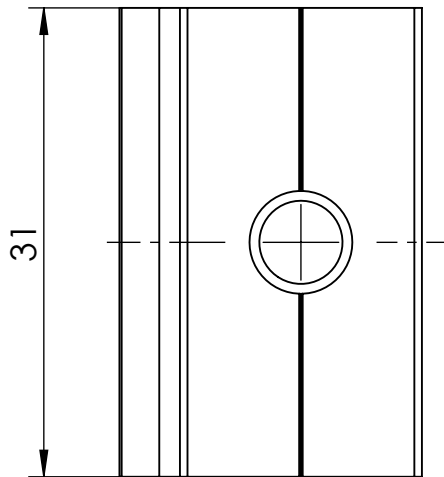
4

A



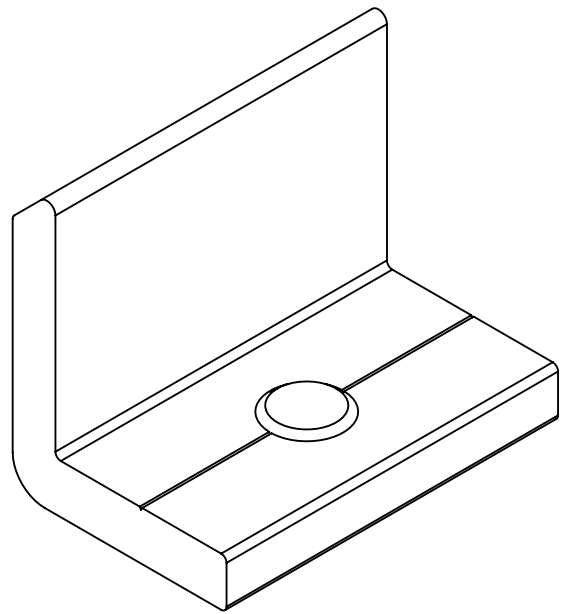
B

C



D

Isometric



E

Pos.No.	Designation	Material	Quantity
1	InsertionRail EndStop	EN AW 6063 T66	1
2	Hexagon socket set screws - ISO 4026 - M8x6	A2	1

F



K2 Systems GmbH  
Haldenstr. 1  
71272 Renningen  
Germany  
+49 7159 42059-0

Designation:

Data sheet  
InsertionRail EndStop

	Name	Date	Material:	Item no.:	2002760	A4
Designed	M. Preiß	17.09.2018	see table			
Approved	M. Schuler	19.12.2024	Surface: -	Drawing no.:	01-208-00	All dimensions in mm
Last change	S. Frey	19.12.2024	Weight: ca. 15.2 g/pc	Scale: 2:1		Sheet 1 of 1

This drawing is the sole property of K2 Systems GmbH. It is protected by copyright and may only be copied, reproduced or distributed to a third party with explicit permission!