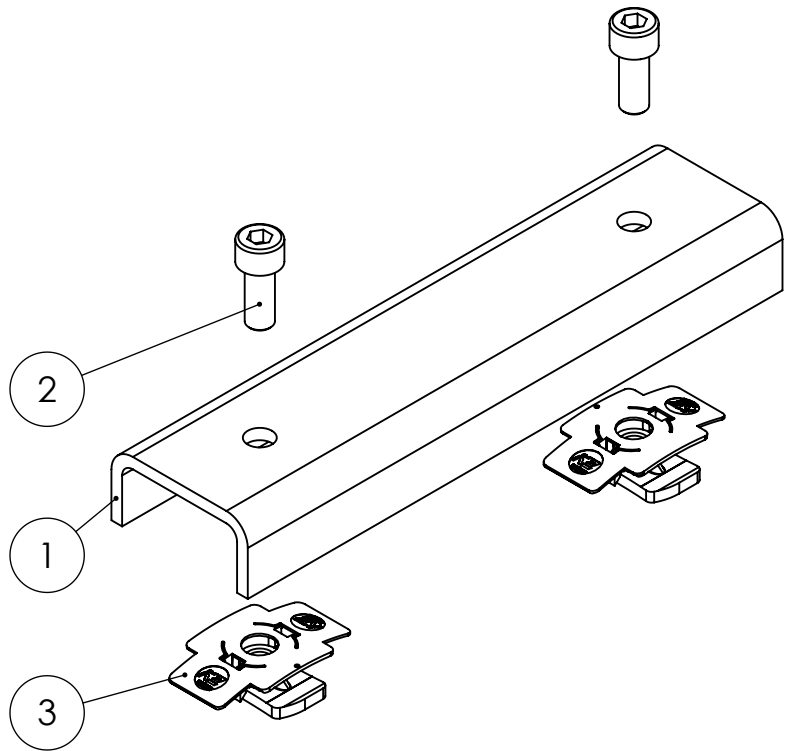


Isometric



Pos.No.	Designation	Material	Quantity
1	FlatConnector	EN AW 5754 H111	1
2	Socket Head Bolt serrated - sim. ISO 4762 - M8x20	A2-70	2
3	MK2	TPC/ 1.4301	2



K2 Systems GmbH
 Haldenstr. 1
 71272 Renningen
 Germany
 +49 7159 42059-0

Designation:

Data sheet
 Dome FlatConnector Set

Name	Date	Material:	Item no.:	A4
Designed M. Schuler	05.12.2024	see table	1006039	
Approved A. Soumpalas	09.12.2024	Surface: -	Drawing no.: 01-202-00	All dimensions in mm
Last change		Weight: ca. 252.1 g/pc	Scale: 1:2	Sheet 1 of 1

This drawing is the sole property of K2 Systems GmbH. It is protected by copyright and may only be copied, reproduced or distributed to a third party with explicit permission!