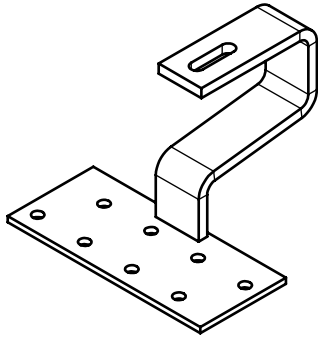


Isometric  
1:5



Pos.No.	Designation	Material	Quantity
1	SolidHook PAN H47 - 121 40x8 - Base plate	1.4016 acc. to EN10088-2 min Rp0,2=260N/mm <sup>2</sup>	1
2	SolidHook PAN H47 - 121 40x8 - Bracket	1.4016 acc. to EN10088-2 min Rp0,2=260N/mm <sup>2</sup>	1


**K2 Systems GmbH**  
 Industriestr. 18  
 71272 Renningen  
 Germany  
 +49 7159 42059-0

Designation:  
**Data sheet**  
**SolidHook PAN H47/121 40x8**

Name	Date	Material:	Item no.:	1000764	A4	
Designed	M. Wiggers	15.08.2011	see table			
Approved	B. Koch	10.01.2023	Surface: sandblasted	Drawing no.:	02-007-08	All dimensions in mm
Last change	A. Soumpalas	10.01.2023	Weight: ca. 1268.9 g/pc	Scale: 1:2		Sheet 1 of 1

This drawing is the sole property of K2 Systems GmbH. It is protected by copyright and may only be copied, reproduced or distributed to a third party with explicit permission!