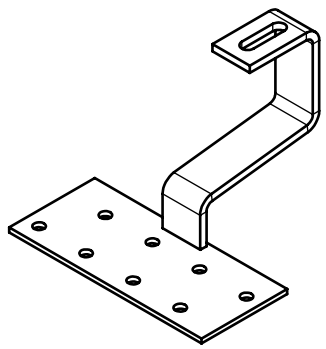


Isometric
1:5



K2 Systems GmbH
Industriestr. 18
71272 Renningen
Germany
+49 7159 42059-0

Designation:
Data sheet
SolidHook PAN H38/124 35x6

F	Name	Date	Material: 1.4016 acc. to EN 10088-2 min Rp0,2=260N/mm ²	Item no.:	1000096	A4	
	Designed	Renz	14.01.2009				
	Approved	B. Koch	13.01.2023	Surface: sandblasted	Drawing no.:	02-001-05	All dimensions in mm
	Last change	A. Soumpalas	13.01.2023	Weight: ca. 843.2 g/Stk	Scale: 1:2		Sheet 1 of 1

This drawing is the sole property of K2 Systems GmbH. It is protected by copyright and may only be copied, reproduced or distributed to a third party with explicit permission!