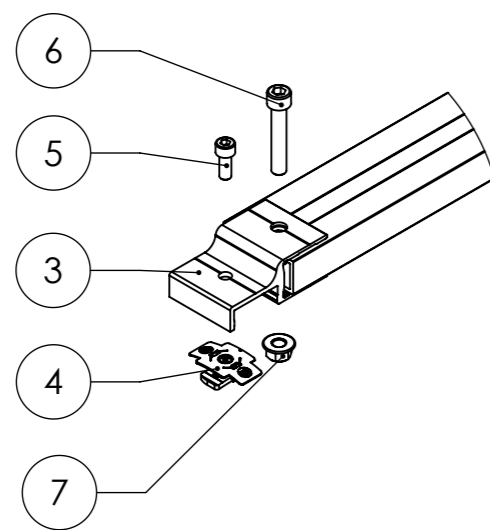
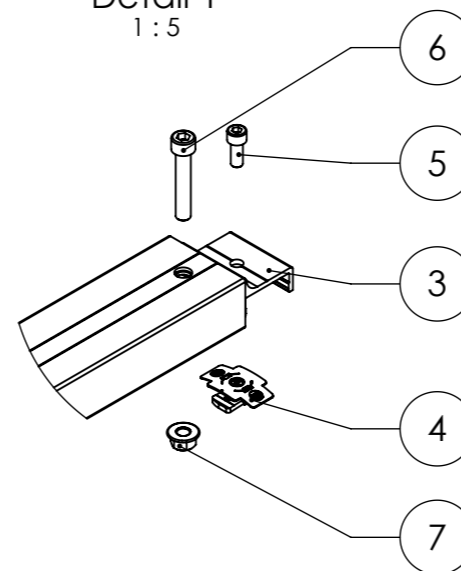


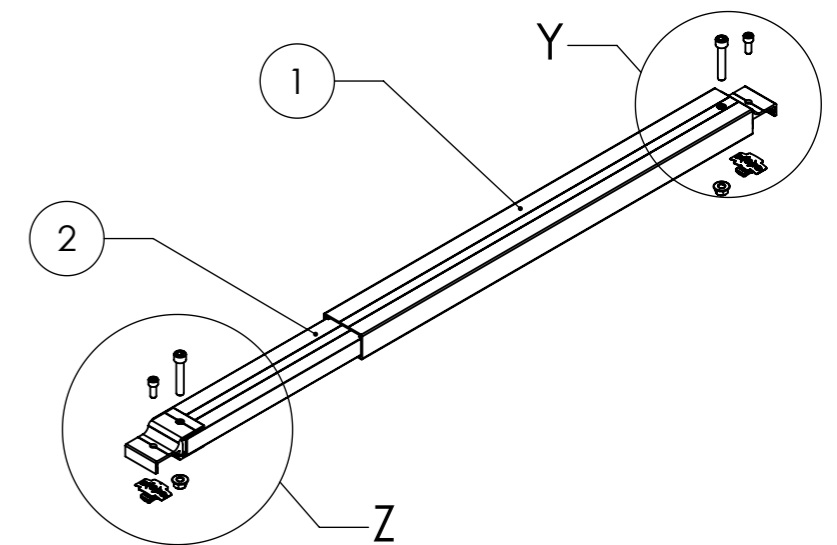
Detail Z
1:5



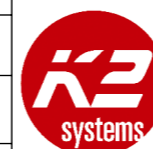
Detail Y
1:5



Isometric
1:10



Pos.No.	Designation	Material	Quantity
1	Outer profile fixed connection S 730 mm	EN AW 6063 T66	1
2	Inner profile fixed connection S725mm	EN AW 6063 T66	1
3	T-Joint fixed connection	EN AW 6063 T66	2
4	MK2 for Sets	stainless steel (1.4301)/TPC	2
5	Socket head bolt, serrated - similar DIN 4762 - M8x20	A2-70	2
6	Socket head bolt DIN 4762 - M10x55	A2-70	2
7	Hexagon flange nut, serrated - similar DIN 6923 - M10	A2-70	2



K2 Systems GmbH
Haldenstr. 1
71272 Renningen
Germany
+49 7159 42059-0

Designation:

Data sheet
Dome FixPro S

Designed	A. Soumpalas	Date	21.12.2021	Material:	see table	Item no.:	2003384	A3
Approved	M. Wiggers	Date	01.08.2024	Surface:		Drawing no.:	07-017-02	All dimensions in mm
Last change	S. Frey	Date	01.08.2024	Weight:	ca. 2385.1 g/Stk	Scale:	1:2	Sheet 1 of 1

This drawing is the sole property of K2 Systems GmbH. It is protected by copyright and may only be copied, reproduced or distributed to a third party with explicit permission!