

1

2

3

4

A

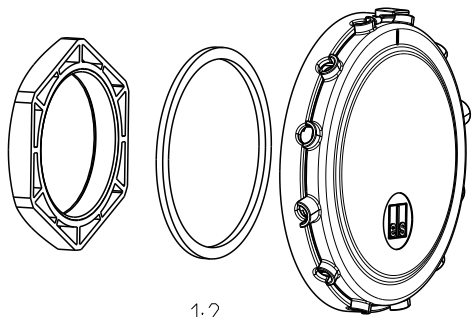
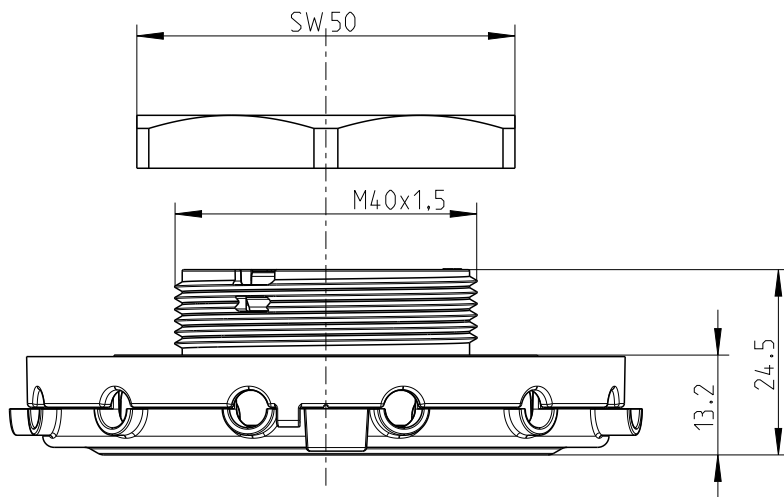
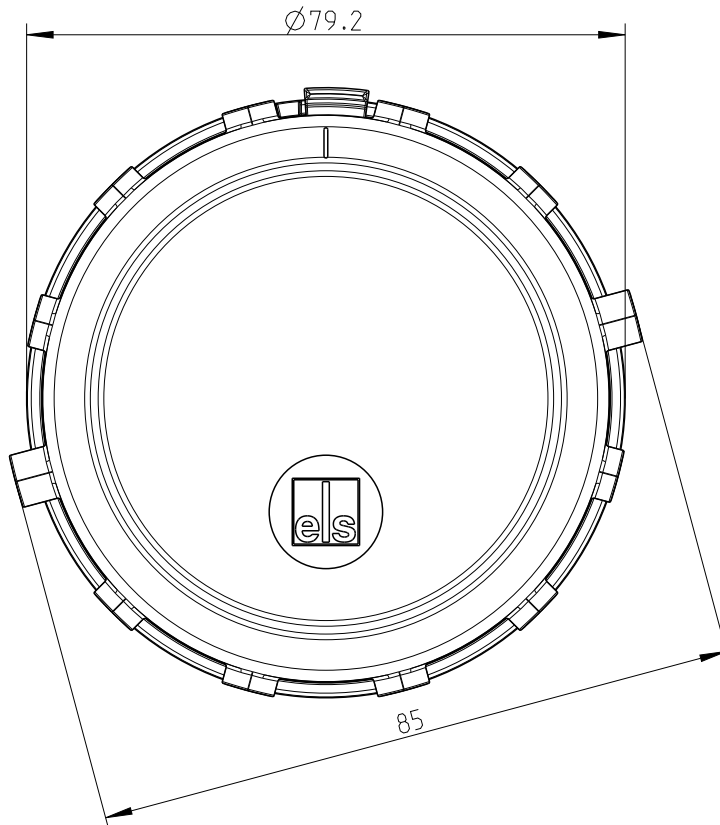
B

C

D

E

F



Schutzvermerk ISO 16016 beachten. Refer to protection notice ISO 16016.

Maßstab Scale 1:1



Massblatt/Dimension Sheet

BEL Air M40

M-BEL-Air

0 Freigabe 17.02.16

