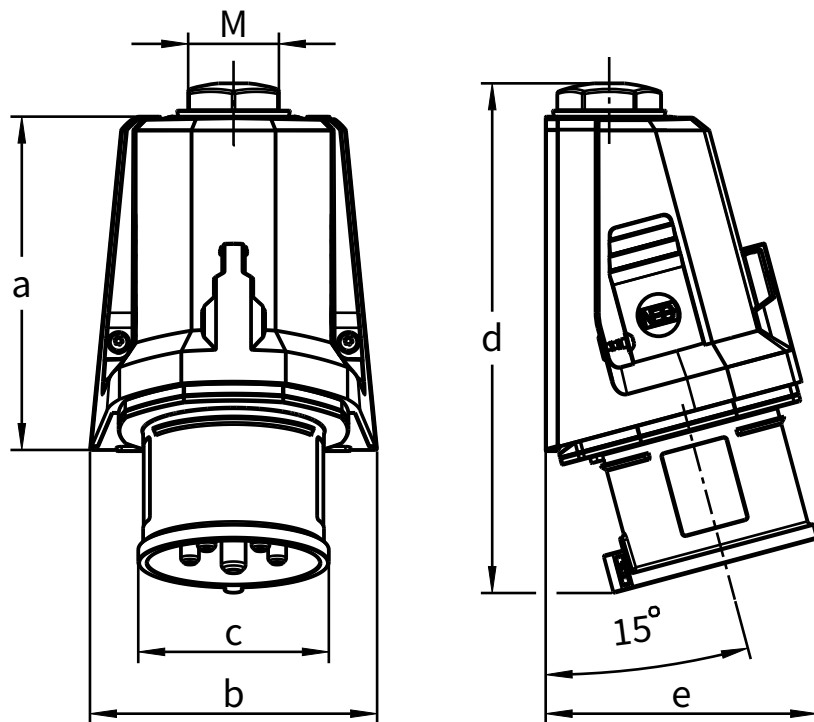


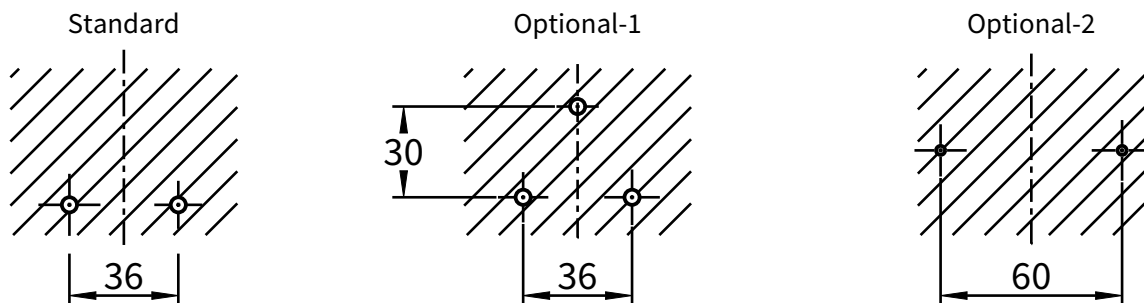
# MAßZEICHNUNG

## Dimensional drawing



Amp.	16A			32A		
	3	4	5	3	4	5
Pole	3	4	5	3	4	5
a	86	111	111	111	111	111
b	75	95	95	95	95	95
d	123	156	157	167	167	168
e	73	83	90	87	87	90
M	M20	M32	M32	M32	M32	M32

Bohrbild/ Drillingtemplate



- SK Schraubklemme/ screw terminal
- SN Schraubklemme vernickelt/ screw terminal nickel plated
- CC Cage clamp/ cage clamp
- CN Cage clamp vernickelt/ cage clamp nickel plated
- PH Phasenwender/ phase inverter
- PN Phasenwender vernickelt/ phase inverter nickel plated