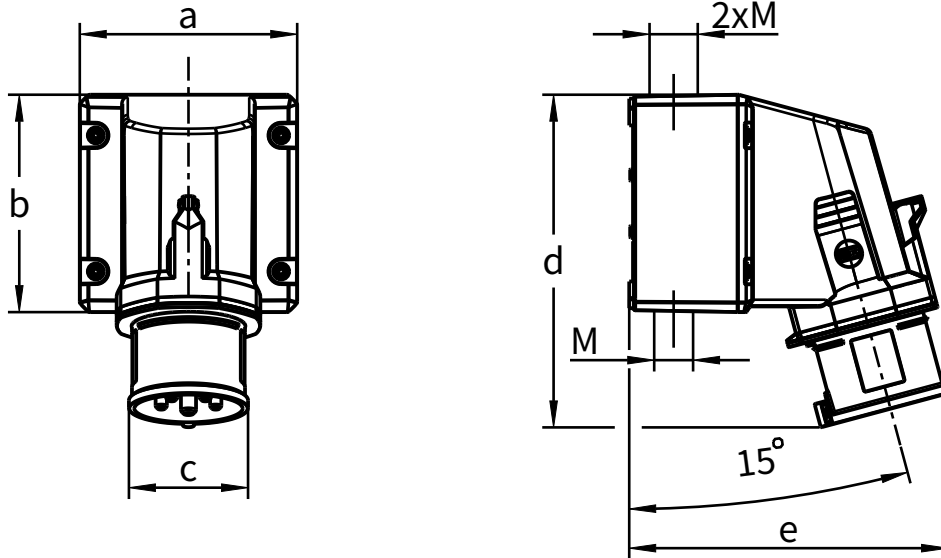
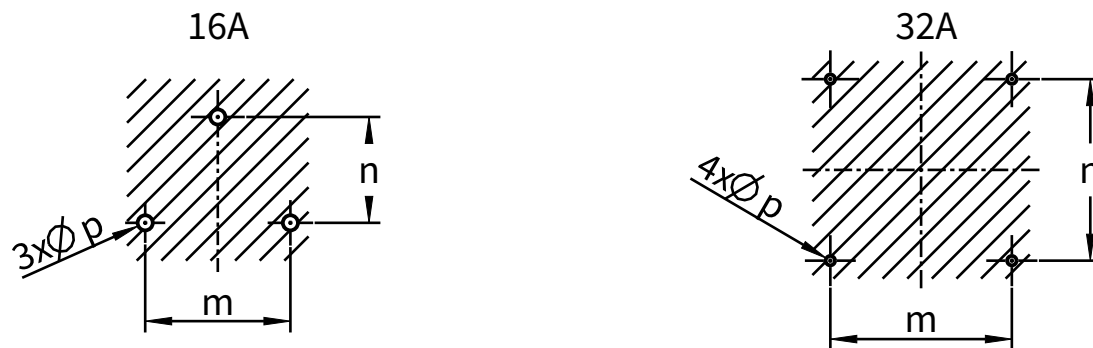


# MAßZEICHNUNG

## Dimensional drawing



Montageausschnitt/ Mounting cutout



Amp.	16A			32A		
Pole	3	4	5	3	4	5
a	90	90	90	115	115	115
b	78	78	78	115	115	115
c	44	50	56	57	57	63
d	131	132	133	175	175	176
e	130	145	148	163	163	169
M	M20/25	M20/25	M20/25	M20/25	M20/25	M20/25
m	48	48	48	96	96	96
n	35	35	35	96	96	96
p	5	5	5	5	5	5

- SK Schraubklemme/ screw terminal
- SN Schraubklemme vernickelt/ screw terminal nickel plated
- CC Cage clamp/ cage clamp
- CN Cage clamp vernickelt/ cage clamp nickel plated
- PH Phasenwender/ phase inverter
- PN Phasenwender vernickelt/ phase inverter nickel plated