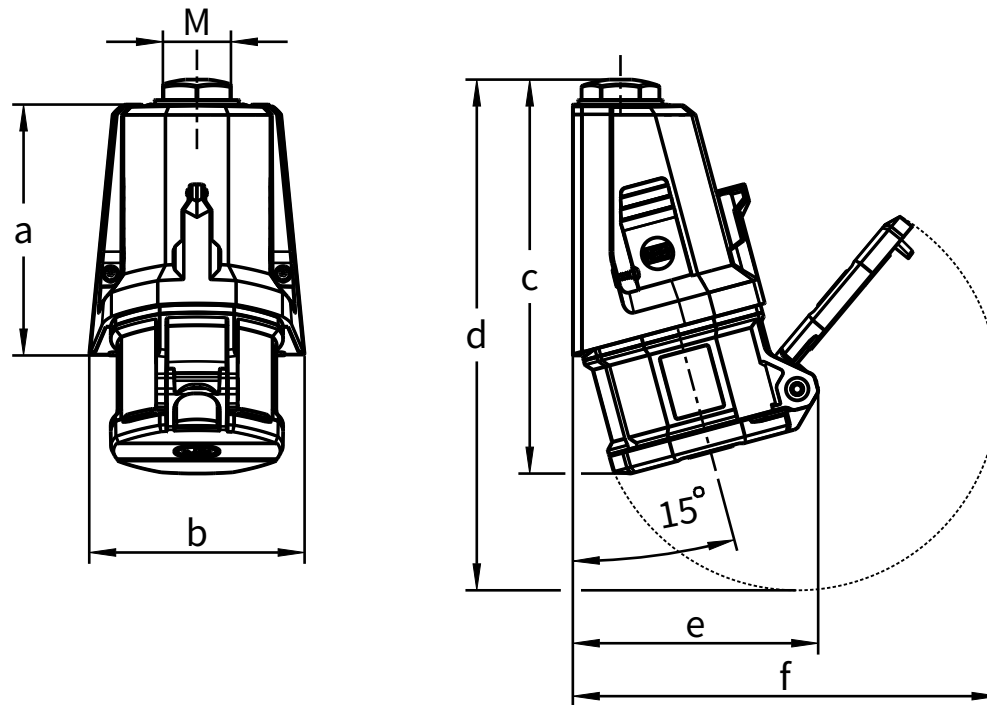


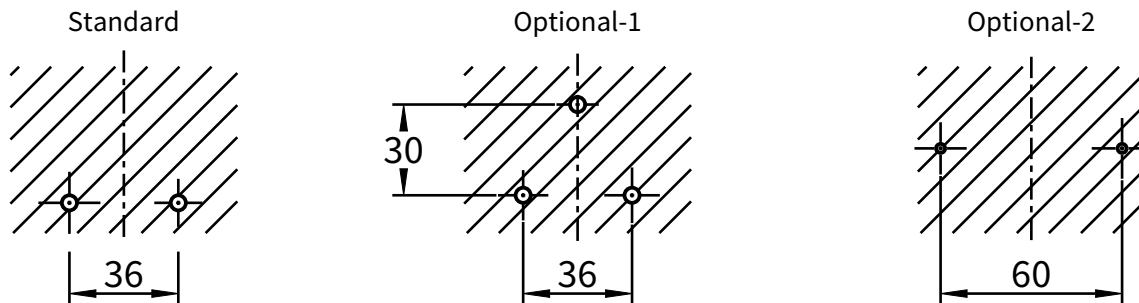
MAßZEICHNUNG

Dimensional drawing



Amp.	16A			32A		
	Pole 3	Pole 4	Pole 5	Pole 3	Pole 4	Pole 5
a	86	111	111	111	111	111
b	75	95	95	95	95	95
c	136	160	162	173	173	174
d	170	200	207	220	220	225
e	90	104	108	106	106	108
f	148	167	180	180	180	188
M	M20	M32	M32	M32	M32	M32

Montageausschnitt/ Mounting cutout



- SK Schraubklemme/ screw terminal
- SN Schraubklemme vernickelt/ screw terminal nickel plated
- CC Cage clamp/ cage clamp
- CN Cage clamp vernickelt/ cage clamp nickel plated
- PH Phasenwender/ phase inverter
- PN Phasenwender vernickelt/ phase inverter nickel plated