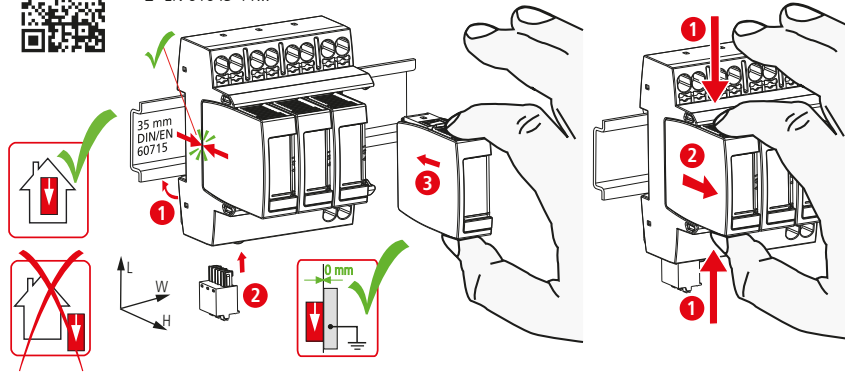


DEHNguard modular DG MP TNS ACI 275 FM, DG MP TT ACI 275 FM

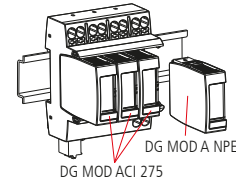
- DE Einbauanleitung
- GB Installation instructions
- IT Istruzioni di montaggio
- FR Instructions de montage
- NL Montagehandleiding
- ES Instrucciones de montaje
- PT Instruções de montagem
- DK Monteringsvejledning
- SE Monteringsanvisning
- FI Asennusohje
- GR Οδηγίες συναρμολόγησης
- PL Instrukcja montażu
- CZ Návod k montáži
- TR Montaj kılavuzu
- RU Инструкция по монтажу
- CN 安装说明
- HU Szerelési útmutató
- JP 設置説明書



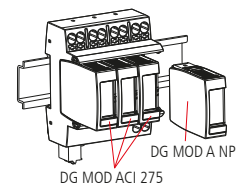
II IEC 61643-11...
2 EN 61643-11...



DG MP TNS ACI 275 FM



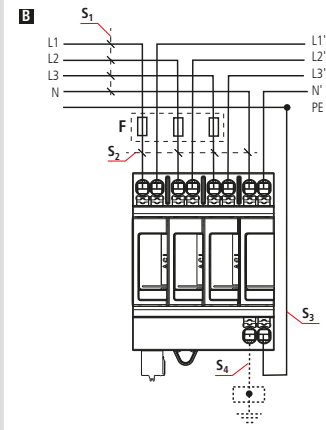
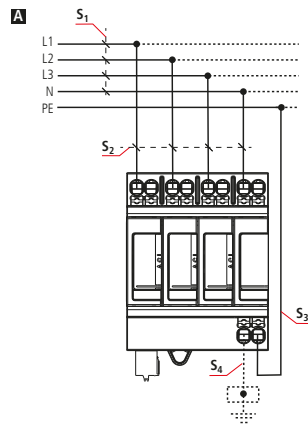
DG MP TT ACI 275 FM



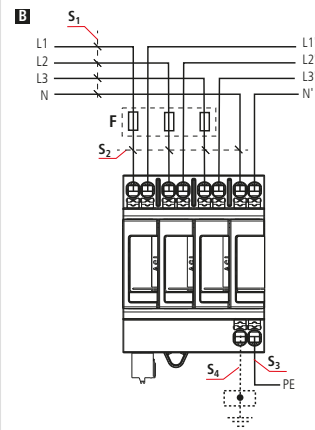
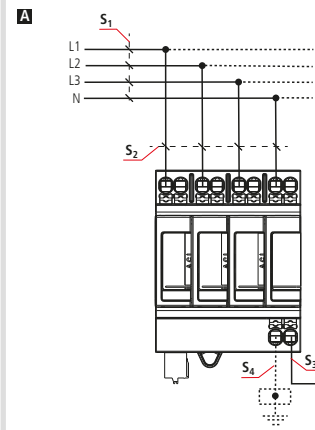
	DG MP TNS ACI 275 FM		DG MP TT ACI 275 FM	
	L-PE	N-PE	L-N	N-PE
DG MOD ACI 275	DG MOD A NPE	DG MOD ACI 275	DG MOD A NPE	
$U_N / Tol.: \pm 10\%$	230 / 400 V (50/60 Hz)			
U_C	275 V	255V	275 V	255V
I_{SCCR}	25 kArms	---	25 kArms	---
I_{li}	---	100 A _{rms}	---	100 A _{rms}
θ	-40°C ... +80°C			
φ	5% ... 95%			
I_{PE}	< 5 μ A			
IP 1)	20			
L x W x	90 mm x 72 mm x 77 mm			

	15 mm	15 mm	15 mm	15 mm
\square L, N, PE(N), \perp	1.5 - 10 mm ²	6 - 10 mm ²	1.5 - 10 mm ²	1.5 - 6 mm ²

TNS DG MP TNS ACI 275 FM

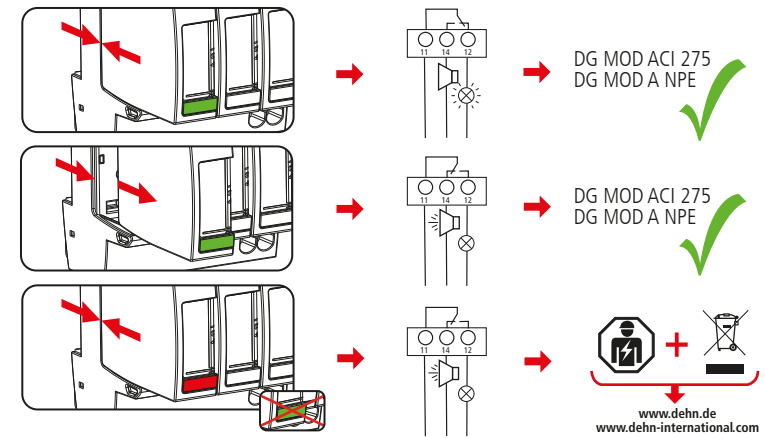
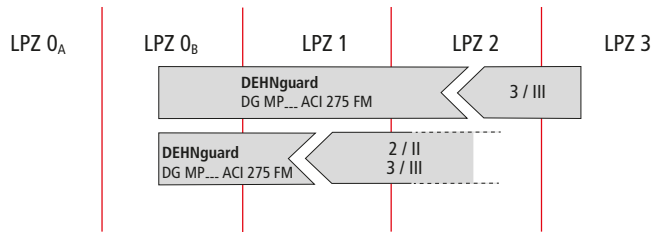


TT DG MP TT ACI 275 FM



S_1 / mm^2	max. I_k	S_2 / mm^2	S_3 / mm^2	
$\square \text{mm}^2 - \text{X} \text{mm}^2$	$\leq 25 \text{ kA}$	$\geq 6 \text{ mm}^2$ 2)	$\geq 6 \text{ mm}^2$	
$\leq 10 \text{ mm}^2$	$\leq 25 \text{ kA}$	$= S_1$	$= S_1$ min. 6 mm ²	

F A gG	S_2 / mm^2	S_3 / mm^2	S_4 / mm^2
25	4	6	6
32	6	6	6
40	10	10	10



DEHNguard modular
DG MP TNS ACI 275 FM, DG MP TT ACI 275 FM

U_N / I_N

AC: 250 V / 0.5 A
DC: 250 V / 0.1 A
125 V / 0.2 A
75 V / 0.5 A

max. 1.5 mm²

