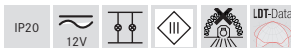
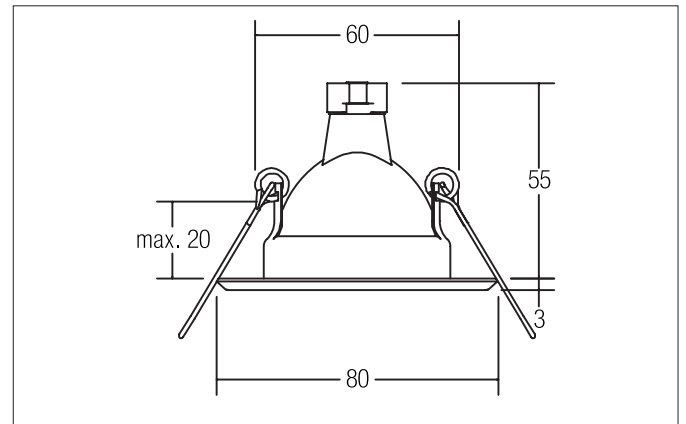


DRYAS Recessed downlight, GX5,3
Article no. 3202.07Light.
For Generations.**Tender**

Recessed downlight, GX5,3, white, Round. In a compact design, for installation in tool-less rapid assembly systems. Lamp holder: GX5.3, Mounting method: Recessed mounting, Place of installation: Ceiling-mounted, Material: Steel, Degree of protection: according to DIN EN 60529 IP20, Protection class: (EN 61140) III, Voltage: 12V, Power: 13 W, Amount of light sources / fittings: 1 Qty, Adjustability: Not adjustable, without control gear, Control: Other.

Article data	
Article no.	3202.07
GTIN	4250047722748
Series name	DRYAS
Short description	Recessed downlight, GX5,3
Material	Steel
Colour	White
Shape	Round
Outer diameter	80 mm
Built-in diameter	60 mm
Installation depth	55 mm
Height	3 mm
Weight	0.044 kg
Conformance	CE, UKCA

DRYAS Recessed downlight, GX5,3

Article no. 3202.07

Light.
For Generations.

Operating technology of the luminaire	
System output	13 W
Voltage type	AC/DC
AC nominal voltage max	12 V
Frequency max	50 Hz
Lamp	For LED-retrofill lamp
Lamp holder	GX5.3
Protection class	III
Degree of protection	IP20
Control	Depending on driver
Bulb change possible	Yes

Mounting technology	
Mounting method	Recessed mounting
Place of installation	Ceiling-mounted
Adjustability	Not adjustable
Further references	No cover with thermal insulation material
Material cover	Other

Packing data	
Gross weight	0.06 kg
Length of packaging	85 mm
Packaging width	43 mm
Packaging height	84 mm
Disposal at end of life	This product must not be disposed of with household waste. You are obliged, to dispose of such electrical waste separately. By disposing of electrical waste and other old or defective electronics separately, you support recycling or other forms of re-use. In that way you help to take care and to avoid that harmful substances get into the environment.

Compatible LED-modules							
Article no.	Power	Beam angle	Colour temperature	Colour rendering	Luminous flux	Input	Height LED-module
12925003	3 W	38°	2.700 K	CRI > 80	290 lm	350 mA	40 mm