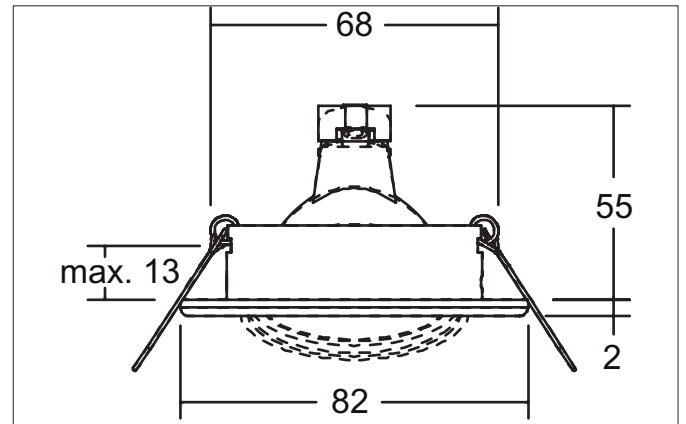


ADELIE Recessed spot, GX5,3

Article no. 01-71010

Light.
For Generations.**Tender**

Recessed spot, GX5,3, white, Round. In a compact design, for installation in tool-less rapid assembly systems. Lamp holder: GX5.3, Mounting method: Recessed mounting, Place of installation: Ceiling-mounted, Material: Iron, Degree of protection: according to DIN EN 60529 IP20, Protection class: (EN 61140) III, Voltage: 12V, Power: 13 W, Amount of light sources / fittings: 1 Qty, Adjustability: Pivoted, without control gear, Control: Other.

| Article data | |
|--------------------|----------------------|
| Article no. | 01-71010 |
| GTIN | 4250047732228 |
| Series name | ADELIE |
| Short description | Recessed spot, GX5,3 |
| Material | Iron |
| Colour | White |
| Type of surface | Glossy |
| Shape | Round |
| Outer diameter | 82 mm |
| Built-in diameter | 68 mm |
| Installation depth | 55 mm |
| Weight | 0.062 kg |
| Conformance | CE, UKCA |

ADELIE Recessed spot, GX5,3

Article no. 01-71010

Light.
For Generations.

| Operating technology of the luminaire | |
|---------------------------------------|------------------------|
| System output | 13 W |
| Voltage type | AC/DC |
| AC nominal voltage max | 12 V |
| Frequency max | 50 Hz |
| Lamp | For LED-retrofill lamp |
| Lamp holder | GX5.3 |
| Protection class | III |
| Degree of protection | IP20 |
| Control | Depending on driver |
| Bulb change possible | Yes |

| Mounting technology | |
|-----------------------|---|
| Mounting method | Recessed mounting |
| Place of installation | Ceiling-mounted |
| Adjustability | Pivoted |
| Swivel angle | 20° |
| Further references | No cover with thermal insulation material |
| Material cover | Other |

| Packing data | |
|-------------------------|---|
| Gross weight | 0.077 kg |
| Length of packaging | 85 mm |
| Packaging width | 43 mm |
| Packaging height | 84 mm |
| Disposal at end of life | This product must not be disposed of with household waste. You are obliged, to dispose of such electrical waste separately. By disposing of electrical waste and other old or defective electronics separately, you support recycling or other forms of re-use. In that way you help to take care and to avoid that harmful substances get into the environment. |

| Compatible LED-modules | |
|------------------------|--|
| | |