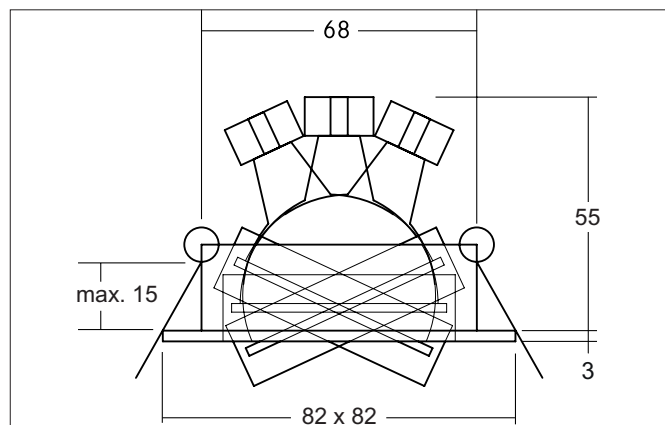


**ELEKTRA-S Recessed spot, GX5,3**

Article no. 32005250

Light.  
For Generations.**Tender**

Recessed spot, GX5,3, alu matt, Square. In a compact design, for installation in tool-less rapid assembly systems. Mounting method: Recessed mounting, Place of installation: Ceiling-mounted, Material: Aluminium, Degree of protection: according to DIN EN 60529 IP20, Protection class: (EN 61140) III, Voltage: 12V, Power: 13 W, Amount of light sources / fittings: 1 Qty, Adjustability: Pivoted, without control gear, Control: Other.

Article data	
Article no.	32005250
GTIN	4250047777 144
Series name	ELEKTRA-S
Short description	Recessed spot, GX5,3
Material	Aluminium
Colour	Alu
Shape	Square
Built-in diameter	68 mm
Installation depth	55 mm
Length	82 mm
Width	82 mm
Height	3 mm
Weight	0.083 kg
Conformance	CE, UKCA

**ELEKTRA-S Recessed spot, GX5,3**

Article no. 32005250

Light.  
For Generations.

Operating technology of the luminaire	
System output	13 W
Voltage type	AC/DC
AC nominal voltage max	230 V
Frequency max	50 Hz
Lamp	For LED-retrofill lamp
Lamp holder	GX5.3
Protection class	III
Degree of protection	IP20
Control	Depending on driver
Bulb change possible	Yes

Mounting technology	
Mounting method	Recessed mounting
Place of installation	Ceiling-mounted
Adjustability	Pivoted
Swivel angle	25°
Further references	No cover with thermal insulation material
Circlip	Without circlip

Packing data	
Gross weight	0.107 kg
Length of packaging	100 mm
Packaging width	43 mm
Packaging height	100 mm
Disposal at end of life	This product must not be disposed of with household waste. You are obliged, to dispose of such electrical waste separately. By disposing of electrical waste and other old or defective electronics separately, you support recycling or other forms of re-use. In that way you help to take care and to avoid that harmful substances get into the environment.

Compatible LED-modules							