

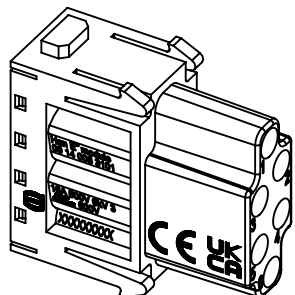
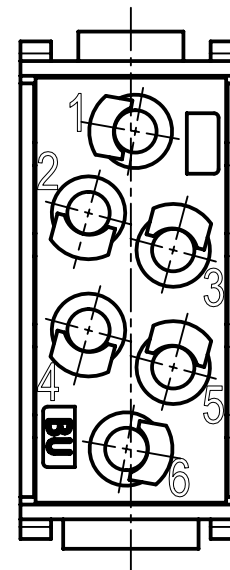
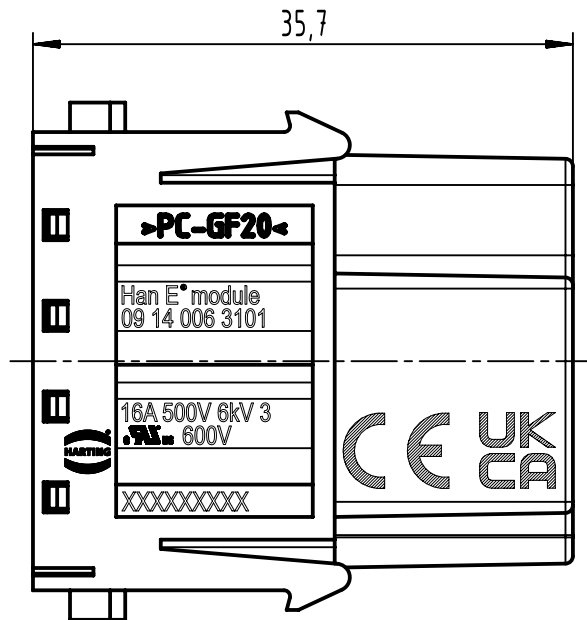
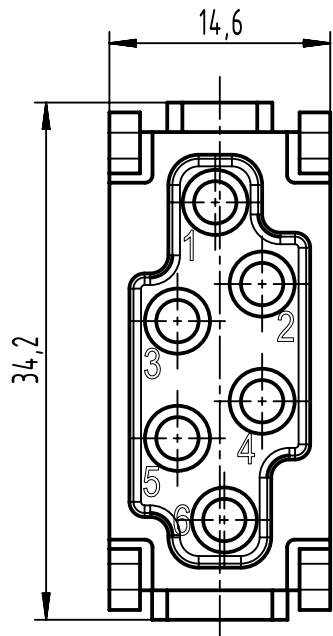
1 2 3 4 5 6


A

B

C

D



	All rights reserved Department EL PD	All Dimensions in mm Original Size DIN A4	Scale 2:1	Free size tol.	Ref. Sub.
	HARTING D-32339 Espelkamp	Created by HOLLERT	Inspected by SUNDERMEIER	Standardisation	Date 2024-01-31
Title Han E module, crimp female					Doc-Key / ECM-Nr. 100086577/UGD/010/J 500000262986
			Type TB	Number 09 14 006 3101	Rev. J Page 1/1