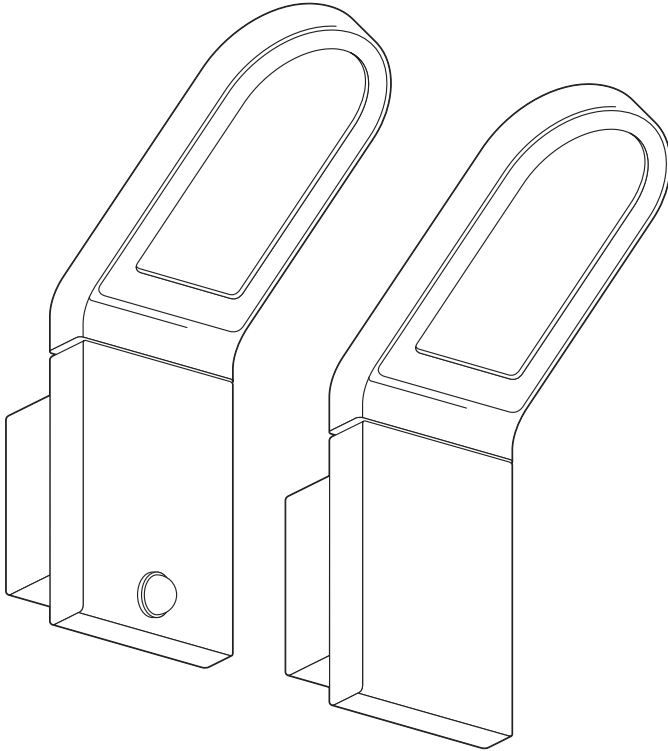

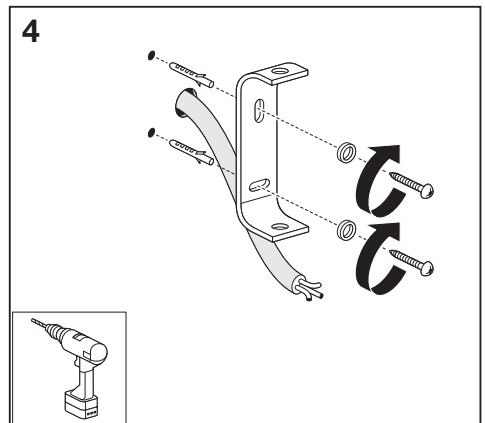
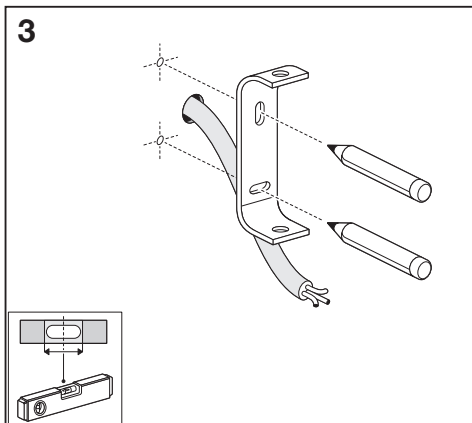
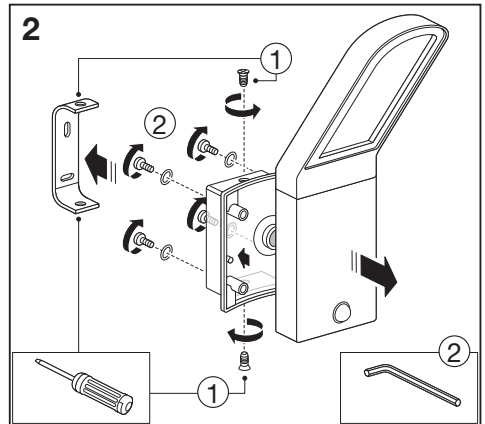
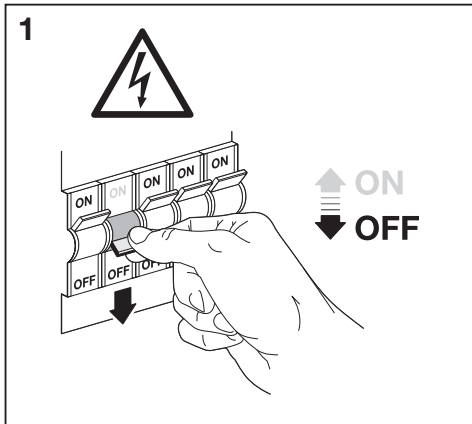
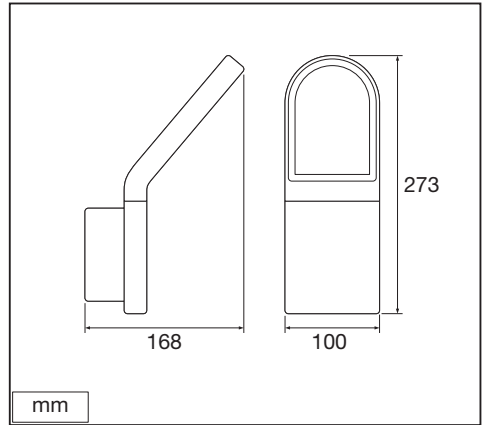
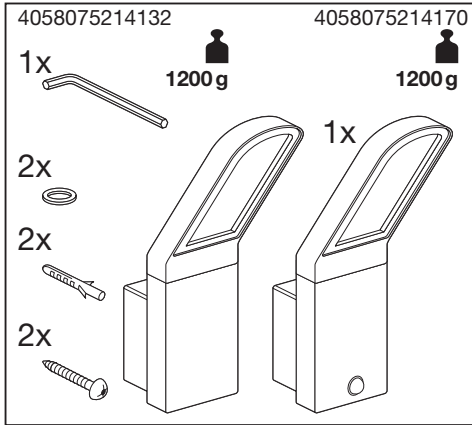
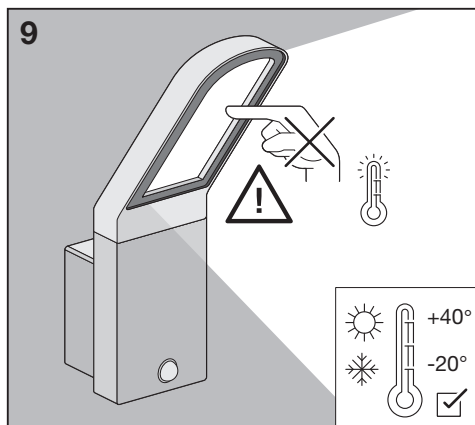
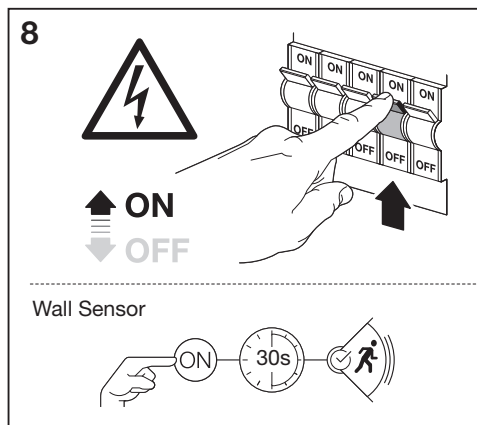
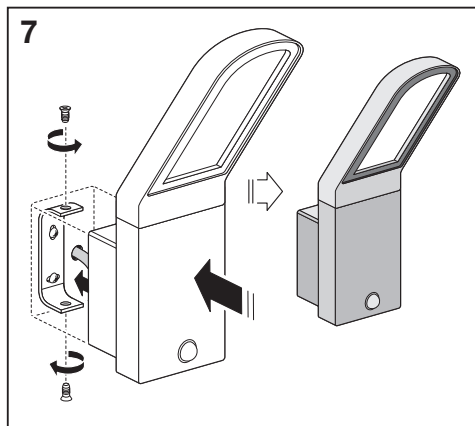
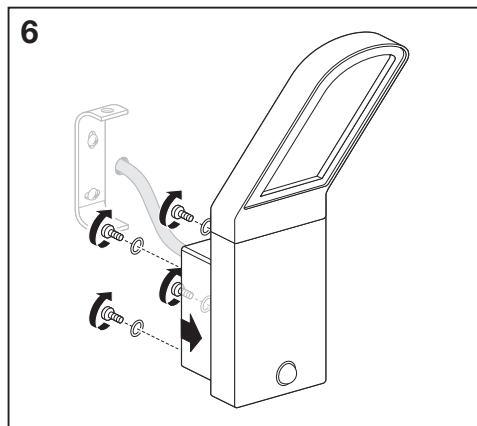
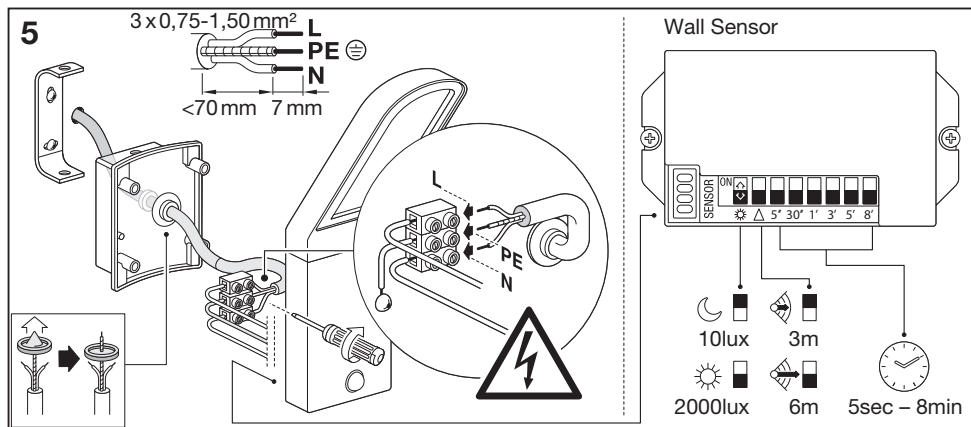



ENDURA® STYLE WALL



	EAN	W	lm Light Source	lm Output	K	°(°C)	V~	mA	Hz	DF	▽ (°)	
ENDURA STYLE WALL 12W DG	4058075214132	12	950	740	3000	-20...+40	220- 240	70	50/60	>0.7	107	15000
ENDURA STYLE WALL SENSOR 12W DG	4058075214170	12	950	740	3000	-20...+40	220- 240	70	50/60	>0.7	107	15000





	EAN	This product contains a light source of energy efficiency class	Contained Light Source
ENDURA STYLE WALL 12W DG	4058075214132	F	
ENDURA STYLE WALL SENSOR 12W DG	4058075214170	F	



C10449057
G11145564
24.06.2022



LEDVANCE GmbH
Steinerne Furt 62
86167 Augsburg, Germany
www.ledvance.com