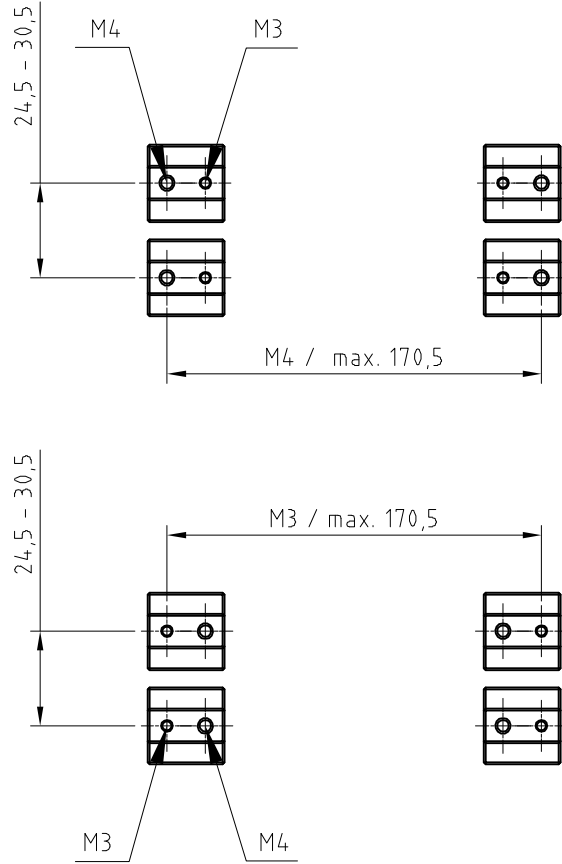




SV
9342.540
9342.550



IEC	35 - 120 mm ² (Cu) 11 Nm	10 x 15,5 x 0,8 (Cu) 11 Nm	AWG 2 - MCM 250 75 °C copper 97 lb-in	10 x 15,5 x 0,8 75 °C copper 97 lb-in
UL	-	-	-	-
12 - 18 mm				



1 SV CB-Geräteadapter 125A

60 mm Schienenmittenabstand

1 SV Circuit-breaker component adaptor 125A

60 mm busbar centre distance

1 SV Adaptateurs de disjoncteurs 125A

60 mm d'écartement entre les axes des barres

Suitable for use on a circuit capable of delivering not more than 50 kA SCCR symmetrical amperes, 600 volts maximum,

When protected by Class K5 125A Fuses.

When protected by a combination motor controller (UL category DIVQ) rated up to 125A, having an interrupting rating not less than 25 kA symmetrical amperes, 480 volts maximum.

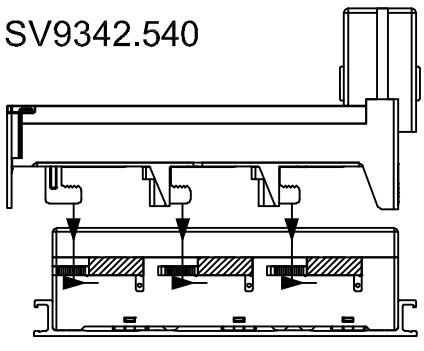
Zchnng.-Nr. / No. of dwg.: A3987302SV
Versandbeutel-Nr. / No. of accessory bag : -

Lieferanten-Nr. / No. of supplier :

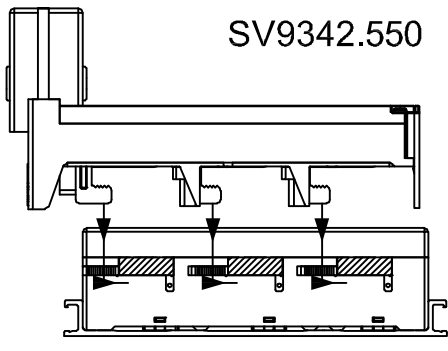
For further information: www.rittal.com

1

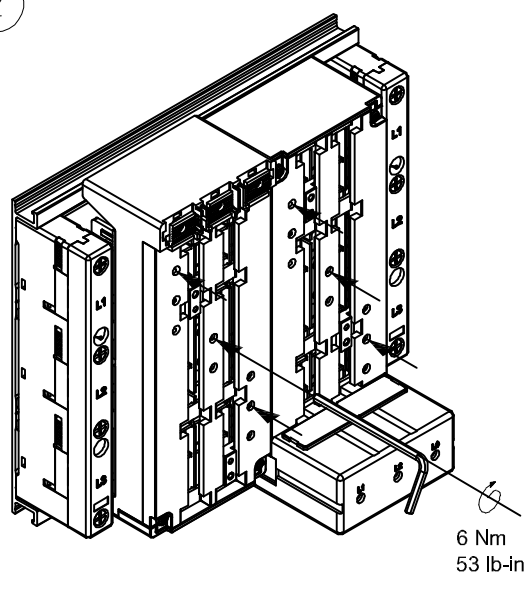
SV9342.540



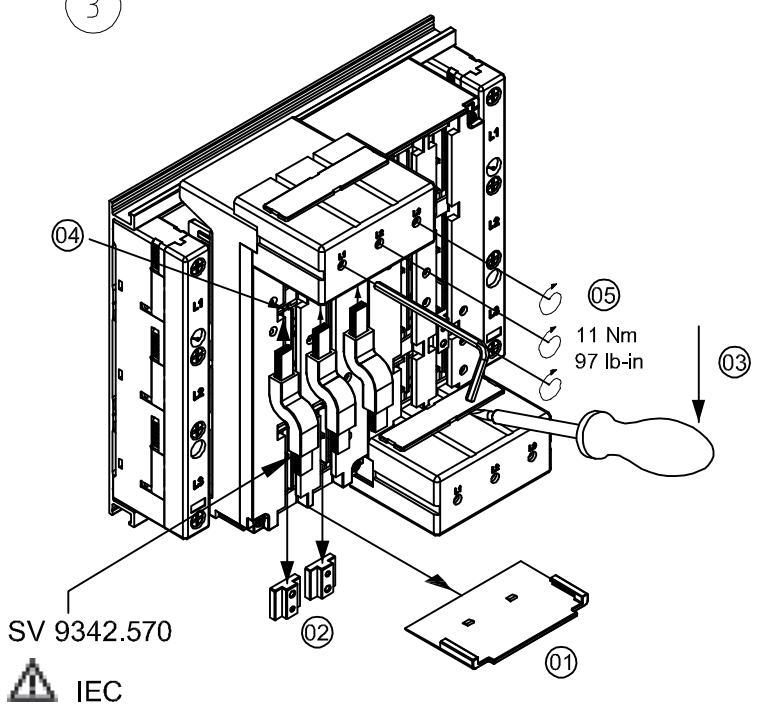
SV9342.550



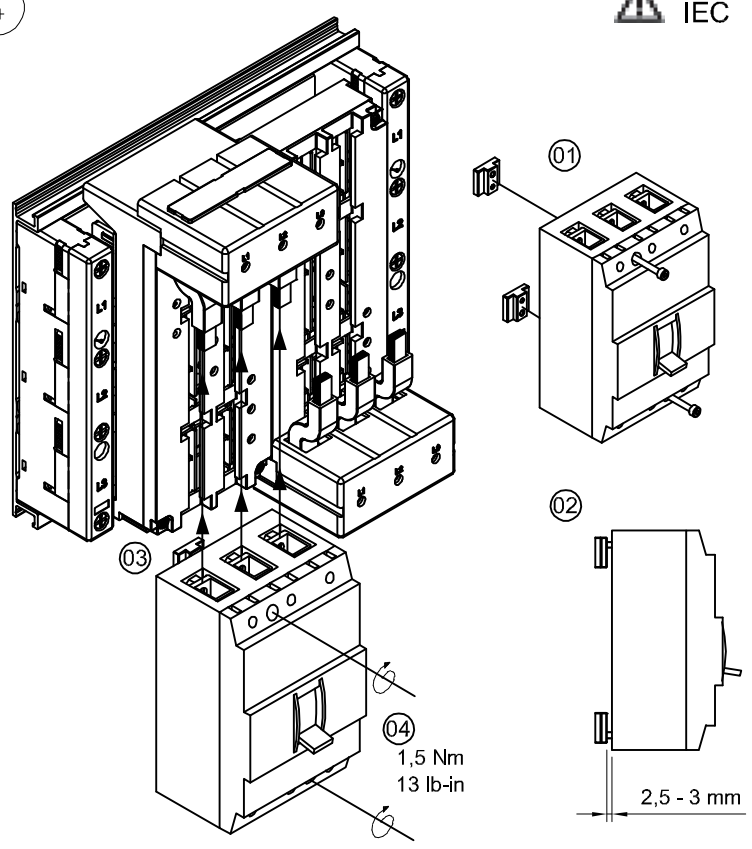
2



3



4



5

