

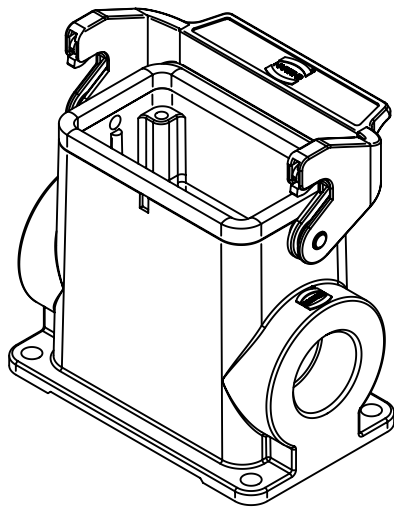
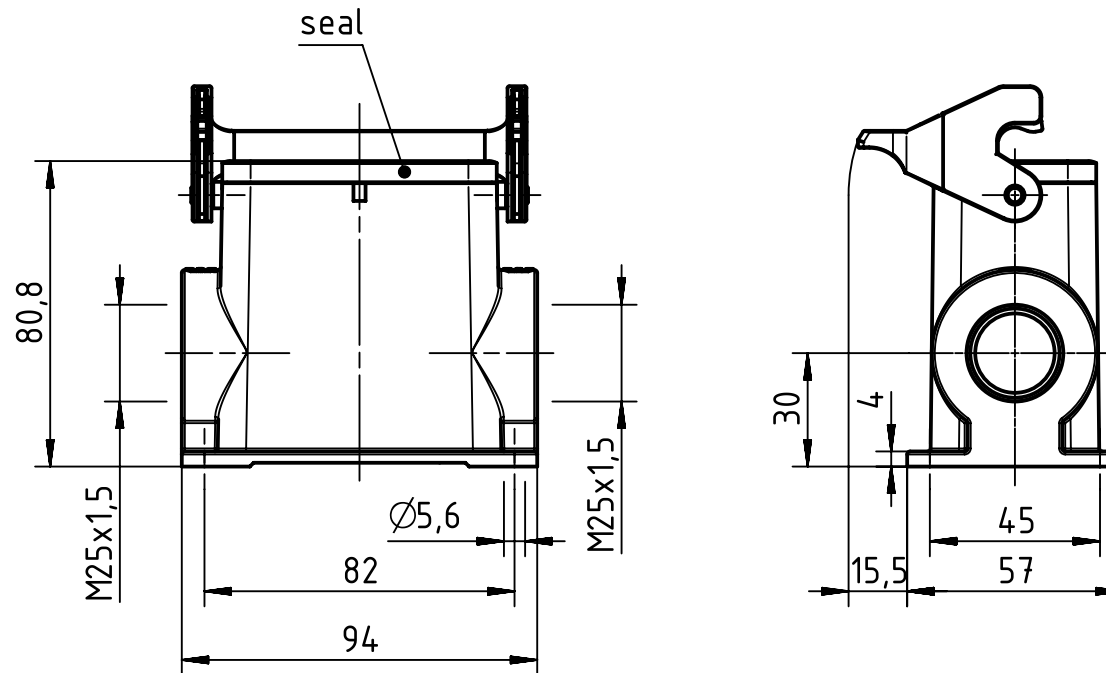
1 2 3 4 5 6

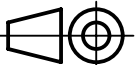

A

B

C

D



|   |   |  |                          |                      |                          |  |                    |
|---|---|--|--------------------------|----------------------|--------------------------|--|--------------------|
|  | All Dimensions in mm<br>Original Size DIN A4  |  | Scale<br>1:2             | Free size tol.       |                          | Ref.<br>Sub. TB 19 30 010 0291 v. 19.02.09               |                    |
|   |  | All rights reserved<br>Department EL PD - DE   |                          | Created by<br>SPRENB | Inspected by<br>BERGHORN | Standardisation<br>TIEMANNA                              | Date<br>2014-01-30 |
| HARTING Electric GmbH & Co. KG<br>D-32339 Espelkamp                                 |   | Title<br>Han B Base Surface HC 1 Lever 2 x M25 |                          |                      |                          | Doc-Key / ECM-Nr.<br>100209250/UGD/004/A<br>500000071121 |                    |
|   |   | Type<br>TB                                     | Number<br>19 30 010 0291 |                      |                          | Rev.<br>A  | Page<br>1/1        |