

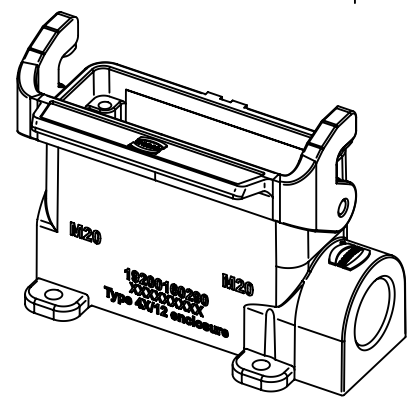
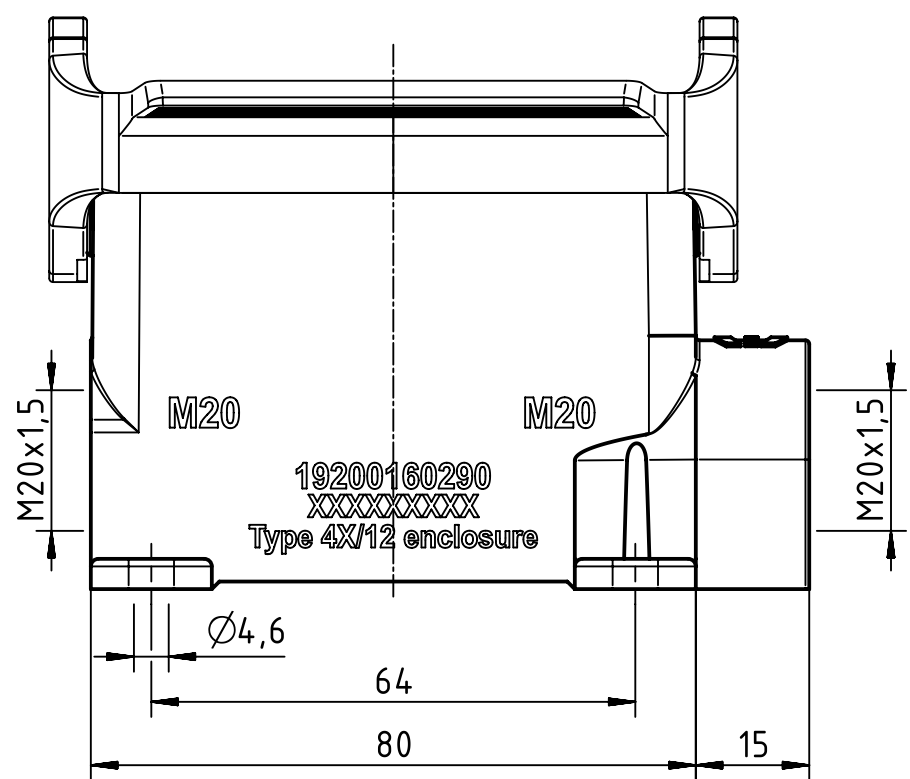
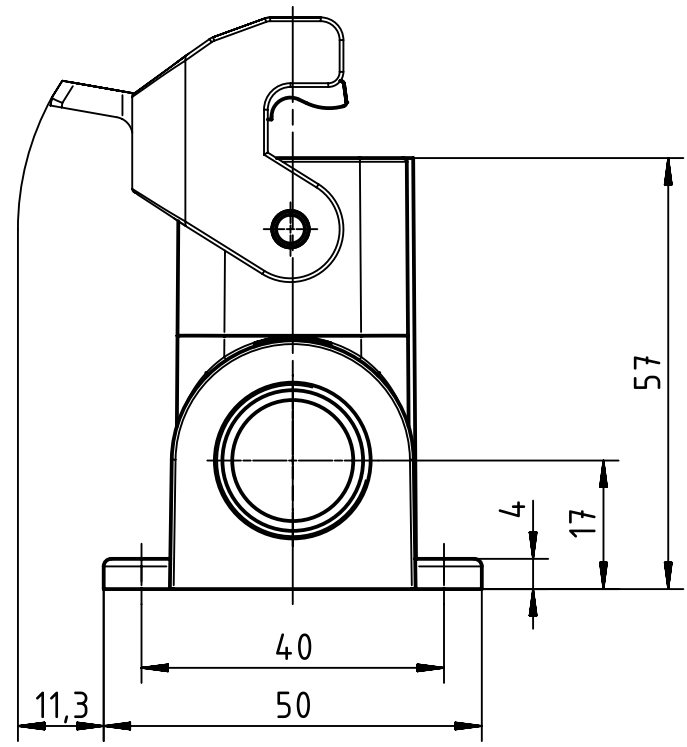
1 2 3 4 5 6

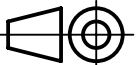

A

B

C

D



	All Dimensions in mm Original Size DIN A4		Scale 1:1		Free size tol.		Ref.			
							Sub.			
	All rights reserved		Created by FINKEV		Inspected by BERGHORN		Standardisation TIEMANNA			
	Department EL PD - DE						Date 2017-12-01			
HARTING Electric GmbH & Co. KG D-32339 Espelkamp		Title Han 16A-HSM-HC 1 Lever 2xM20					State Final Release		Doc-Key / ECM-Nr. 100186818/UGD/004/B 500000128066	
		Type TB		Number 19 20 016 0290			Rev. B		Page 1/1	