

1 2 3 4 5 6

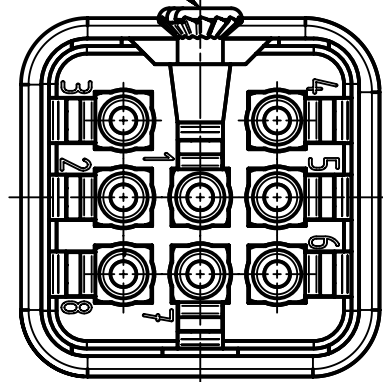
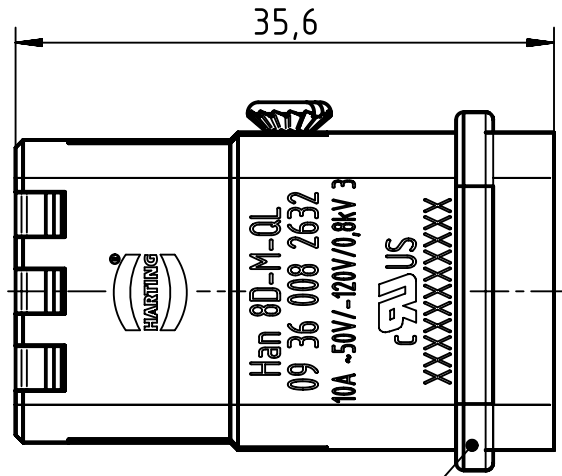
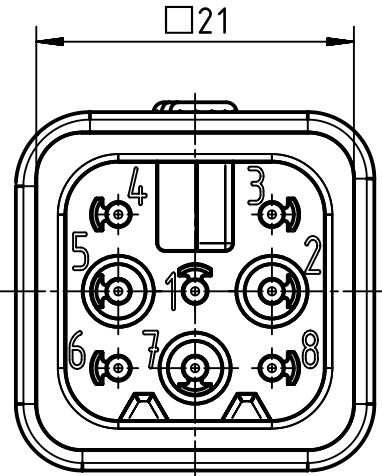
A

B

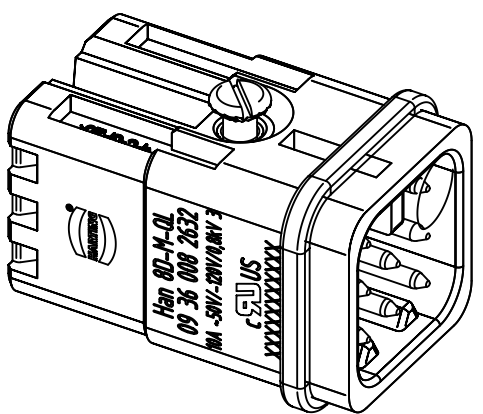
C


D

insert fixing screw M3x6
separately enclosed



seal



	All rights reserved Department EL PD - DE	All Dimensions in mm Original Size DIN A4		Scale 2:1	Free size tol.	Ref. Sub.
		Created by NICHTERLEIN	Inspected by SCHNIEDER	Standardisation TIEMANNA	Date 2016-08-01	State Final Release
HARTING Electric GmbH & Co. KG D-32339 Espelkamp		Title Han 8D-M Quick Lock 1,5mm ²			Doc-Key / ECM-Nr. 100177491/UGD/004/C 500000107052	
		Type TB	Number 09 36 008 2632		Rev. C	Page 1/1